



40GDZ



CONGRATULATIONS and thank you for purchasing one of our Australian made graphite backed easy cast reels as your choice of fishing reel. These reels are constructed from the highest quality materials to ensure your reel will last for many years.

Plus, all these other advantages -

Long, accurate casts: Now, with only the minimum of practise you will be able to cast further and more accurately than ever before.

Control large fish with ease: Powerful one-to-one wind means you only need about a quarter of the effort required to lift a similar weight on a spinning reel.

You can fish harder and longer: Simple, rugged construction means you can forget that fiddly maintenance, because your Alvey reel will resist the effects of saltwater and sand.

Special Features

- Easy Cast Operation
- One Way Drag
- Suits Right or Left Hand
- Easy To Use Fish Alert
- Fibreglass Spool

Three position control knob

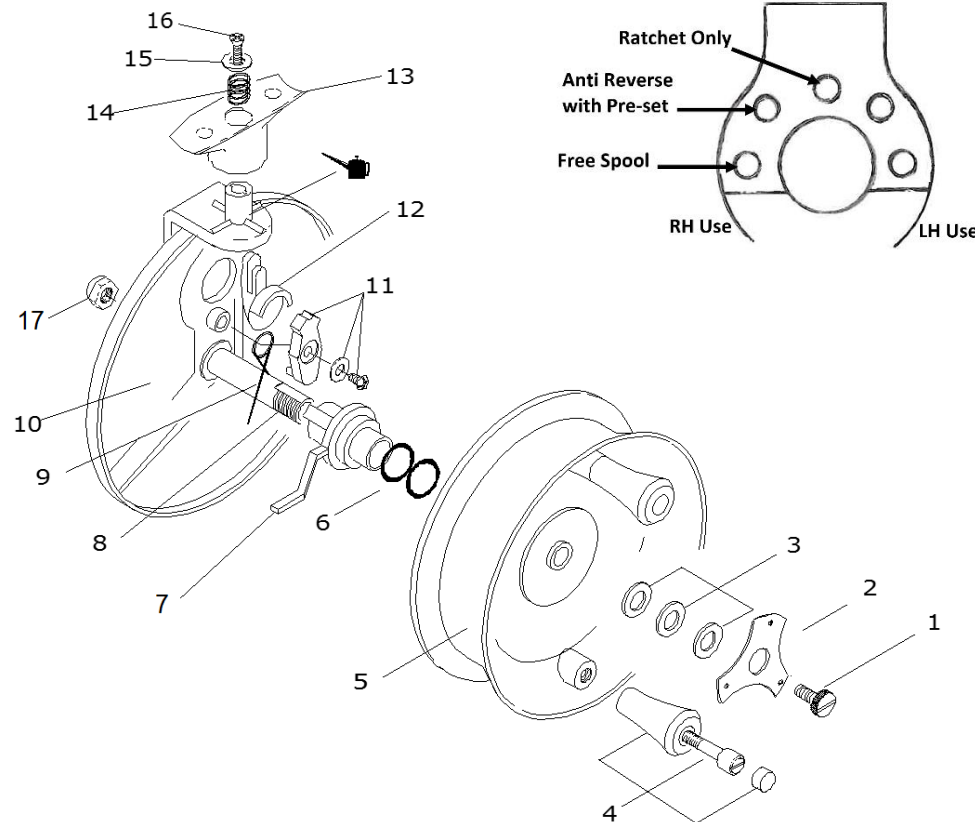
- ✓ Ratchet on / Drag off
- ✓ Ratchet on / Drag on
- ✓ Ratchet off / Drag off

More comfortable fishing: Low winch-mount rods let you fish with your arms in a relaxed position.

No line twist: Use a small free-running swivel as the last piece in any rig and you'll minimise any line twist. (See illustrations inside)



Alvey 10 Year Guarantee: Any faulty Alvey part or reel will be replaced at no charge providing the manufacturer finds the part or reel has had normal usage and attention.



Key	Part	Description	Key	Part	Description
1	R6E1	Spindle Screw	10	R1A	Back Plate Assembly
2	R6B8	Tri-Star Nut	11	R7J3	Drag Pawl
3	R6L7	Spindle Washer Set	12	R7K7	Drag Knob
4	R4F2	Handle Assembly	13	R2A4	Turbo Cast
5	R4B	Glo-X Spool with Handles	14	R2K	Base Spring
6	R6Q3	'O' Ring	15	R2E2	Base Washer
7	R7A7	Ratchet Finger and Tube	16	R2D3	Base Screw
8	R6A24	Spindle	17	R6F4	Spindle Hex Nut
9	R5G2	Drag Spring			

Reel Icon Pty Ltd Trading as
Alvey Reels Australia ABN 57 625 261 707
2-6 Antimony Street Carole Park Qld 4300
t: +61 7 3271 2844 f: +61 7 3271 2451

For more hints and tips on maintenance, please visit the **spare parts** page at www.alvey.com.au
e: info@alvey.com.au
[#alveyreels](https://www.instagram.com/alveyreels)

Recommended Line Size

Your 40GDZ reel will hold approximately 500 metres of 4 kg line. If fishing near rocks or other hazards use heavier line to help avoid line breakage.

Filling the Spool with Line

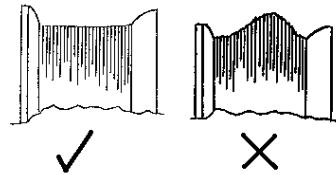
Always take the line from the front of the dispenser, never the side.

Wind firmly and evenly onto the spool, spreading the line with your fingers to give a smooth casting base.

Never stretch a nylon monofilament onto a spool; when it goes back to its original length it will exert strong enough crushing action to damage your spool.

Never allow loose coils to develop on your spool through careless uneven winding.

Adopt the habit of applying light finger tension when retrieving line and spread evenly over its bed.



Selecting a Rod

Your rod and reel outfit should be balanced so you can hold it comfortably over long periods. A matched set, which has a point of balance where it's held in the left hand, will give you the most comfortable posture. The ideal rod for this reel should be 1.5 to 2.0m in length.

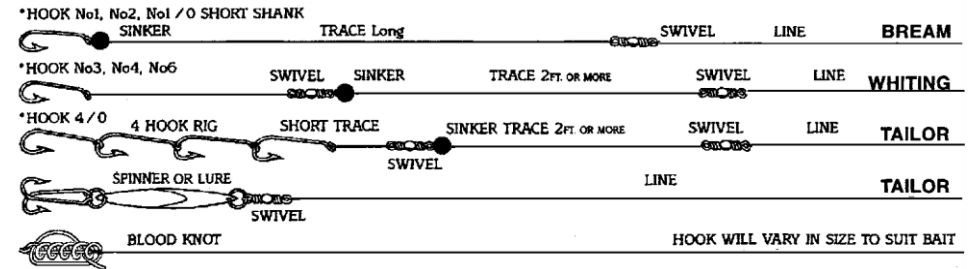
The use of a short butt brings the reel into a natural position for rewinding with your elbows at your side and without strain.

Rigs & Swivels

When used properly a brass swivel is a very inexpensive and efficient way to keep a fishing line in good condition. Curls and twists in a line can be caused by many things, but can be kept to a minimum by the correct use of a swivel.

Swivel Sizes	
Line breaking strain	Swivel size
1 – 5 kg	No 14
5 – 8 kg	No 12
8 – 15 kg	No 10
15 – 20 kg	No 9

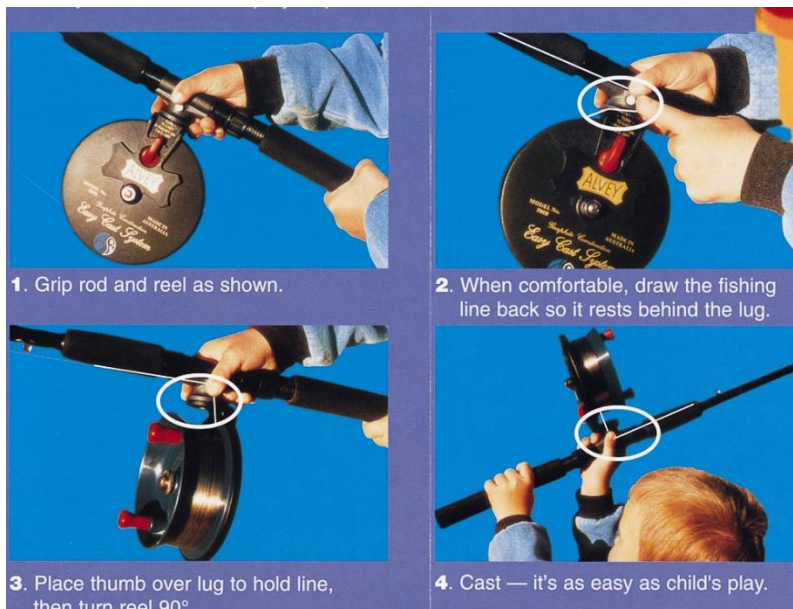
Swivel must be above sinker



40GDZ



Four easy steps to casting like a champion



Direct Wind Models

The direct wind series of reels are the ultimate in simplicity. These reels allow the angler to fish with the minimum of fuss and attention to their gear. The light weight allows the serious fisherman to fish extensive hours without tiring. The thrill of controlling a fish without the interference of a non reverse drag action puts the sport back in sports fishing. The direct wind reel allows the spool to be completely free running, allowing even the most timid biting fish to take line without interference.

Playing the fish

When you are ready to set the hook lift the rod with a smooth firm action and wind; if the fish runs and demands line release your grip on the handles and palm the spool by applying a gentle pressure on the bottom line surface of the spool.

Once the fish has been hooked always keep a bend in the rod by holding it at an angle to the fish. With the power of an Alvey reel you are in control. Do not rush the fish. Allow the fish to tire by keeping a steady pressure on the spool. Many times the fish is lost in the shore break. Keep a steady tension on your line, a bend in the rod and ease the fish ashore.

Fish Alert

When leaving the rod and reel unattended, activate the fish alert and drag on the back of the reel. If a fish takes line a warning noise will be heard.

Maintenance

After each day of fishing wash off the salt and sand. Use a light machine oil on handles and index mechanism, lubricate before storage.