



A BETTER WAY TO FISH.™



A BETTER WAY TO FISH.™



45GVN2



CONGRATULATIONS and thank you for purchasing one of our Australian made fishing reel. These reels are constructed from the highest quality materials to ensure your reel will last for many years.

Plus, all these other advantages -

Control large fish with ease:

Powerful one-to-one wind means you only need about a quarter of the effort required to lift a similar weight on a spinning reel.

You can fish harder and longer: Simple, rugged construction means you can forget that fiddly maintenance, because your Alvey reel will resist the effects of saltwater and sand.

Maintenance

After each day of fishing wash off the salt and sand. Use a light machine oil on working spindles, handle, index mechanism and drag pawl. Lubricate as above before storage.

Special Features

- Retained Tension Knob
- Strong Metal Foot
- Stainless Steel Line Guide
- Large Tension Adjusting Knob
- Easy On/Off Warning Device
- Large Line Capacity
- Powerful 1:1 Winding Ratio
- Vented Fibreglass Spool



Alvey 10 Year Guarantee: Any faulty Alvey part or reel will be replaced at no charge providing the manufacturer finds the part or reel has had normal usage and attention.

Metal Components

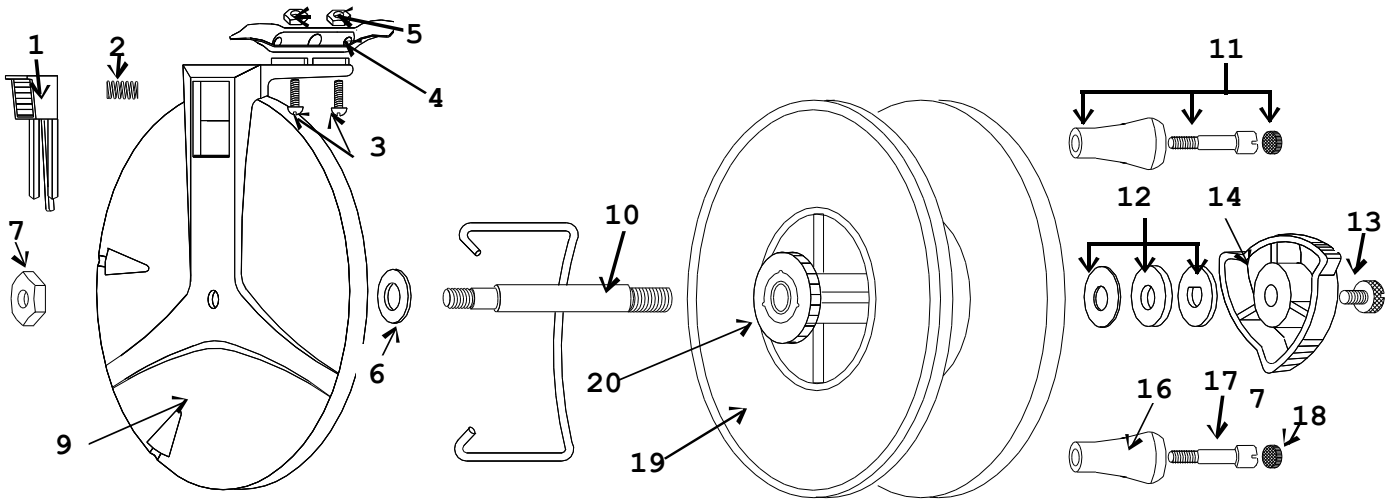
All the metal components of this range of lake series boat reels are either stainless steel or nickel-plated brass for high resistance to any corrosive atmosphere.

Filling the Spool with Line

Always take the line from the front of the dispenser, never the side. Wind firmly and evenly onto the spool, spreading the line with your fingers to give a smooth casting base. Never stretch a nylon monofilament onto a spool; when it goes back to its original length it will exert strong enough crushing action to damage your spool, never allow loose coils to develop on your spool through careless uneven winding.

Reel Icon Pty Ltd Trading as
Alvey Reels Australia ABN 57 625 261 707
2-6 Antimony Street Carole Park Qld 4300
t: +61 7 3271 2844 f: +61 7 3271 2451

For more hints and tips on maintenance, please visit the **spare parts** page at www.alvey.com.au
e: info@alvey.com.au
[#alveyreels](https://www.instagram.com/alveyreels)



Key	Part	Description	Key	Part	Description
1	R5E9	Ratchet Button	11	R4F15	Handle Assembly
2	R5H2	Ratchet Button Spring	12	R6L1	Spindle Washer Set
3	R3D4	Base Screw	13	R6E1	Spindle Screw
4	R2C4	Base Assembly	14	R6B11	Spindle Knob
5	R2F2	Base Hex Nut	16	R4D7	Handle
6	R6J2	Fibre Washer	17	R4F15	Handle Screw
7	R6F1	Spindle Hex Nut	18	R4H2	Handle Plug
9	R1A	Cross and Back Assy	19	R4B	Spool Only
10	R6A20	Spindle	20	R5B6	Ratchet Wheel



A BETTER WAY TO FISH.™



A BETTER WAY TO FISH.™



45GVN2



CONGRATULATIONS and thank you for purchasing one of our Australian made fishing reel. These reels are constructed from the highest quality materials to ensure your reel will last for many years.

Plus, all these other advantages -

Control large fish with ease:

Powerful one-to-one wind means you only need about a quarter of the effort required to lift a similar weight on a spinning reel.

You can fish harder and longer: Simple, rugged construction means you can forget that fiddly maintenance, because your Alvey reel will resist the effects of saltwater and sand.

Maintenance

After each day of fishing wash off the salt and sand. Use a light machine oil on working spindles, handle, index mechanism and drag pawl. Lubricate as above before storage.

Special Features

- Retained Tension Knob
- Strong Metal Foot
- Stainless Steel Line Guide
- Large Tension Adjusting Knob
- Easy On/Off Warning Device
- Large Line Capacity
- Powerful 1:1 Winding Ratio
- Vented Fibreglass Spool



Alvey 10 Year Guarantee: Any faulty Alvey part or reel will be replaced at no charge providing the manufacturer finds the part or reel has had normal usage and attention.

Metal Components

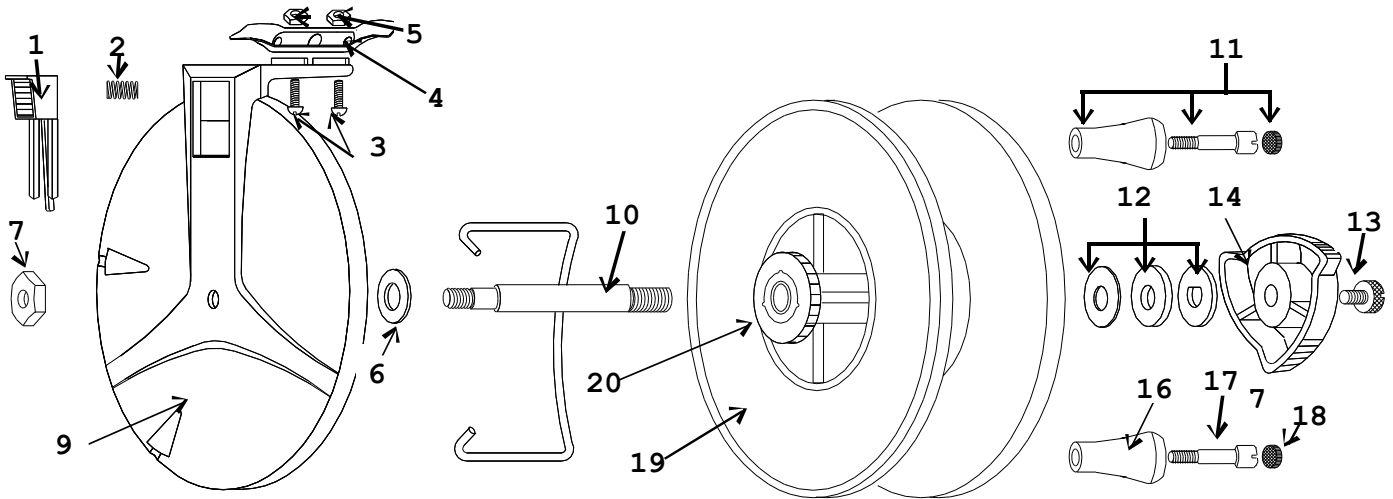
All the metal components of this range of lake series boat reels are either stainless steel or nickel-plated brass for high resistance to any corrosive atmosphere.

Filling the Spool with Line

Always take the line from the front of the dispenser, never the side. Wind firmly and evenly onto the spool, spreading the line with your fingers to give a smooth casting base. Never stretch a nylon monofilament onto a spool; when it goes back to its original length it will exert strong enough crushing action to damage your spool, never allow loose coils to develop on your spool through careless uneven winding.

Reel Icon Pty Ltd Trading as
Alvey Reels Australia ABN 57 625 261 707
2-6 Antimony Street Carole Park Qld 4300
t: +61 7 3271 2844 f: +61 7 3271 2451

For more hints and tips on maintenance, please visit the **spare parts** page at www.alvey.com.au
e: info@alvey.com.au
[#alveyreels](https://www.instagram.com/alveyreels)



Key	Part	Description	Key	Part	Description
1	R5E9	Ratchet Button	11	R4F15	Handle Assembly
2	R5H2	Ratchet Button Spring	12	R6L1	Spindle Washer Set
3	R3D4	Base Screw	13	R6E1	Spindle Screw
4	R2C4	Base Assembly	14	R6B11	Spindle Knob
5	R2F2	Base Hex Nut	16	R4D7	Handle
6	R6J2	Fibre Washer	17	R4F15	Handle Screw
7	R6F1	Spindle Hex Nut	18	R4H2	Handle Plug
9	R1A	Cross and Back Assy	19	R4B	Spool Only
10	R6A20	Spindle	20	R5B6	Ratchet Wheel