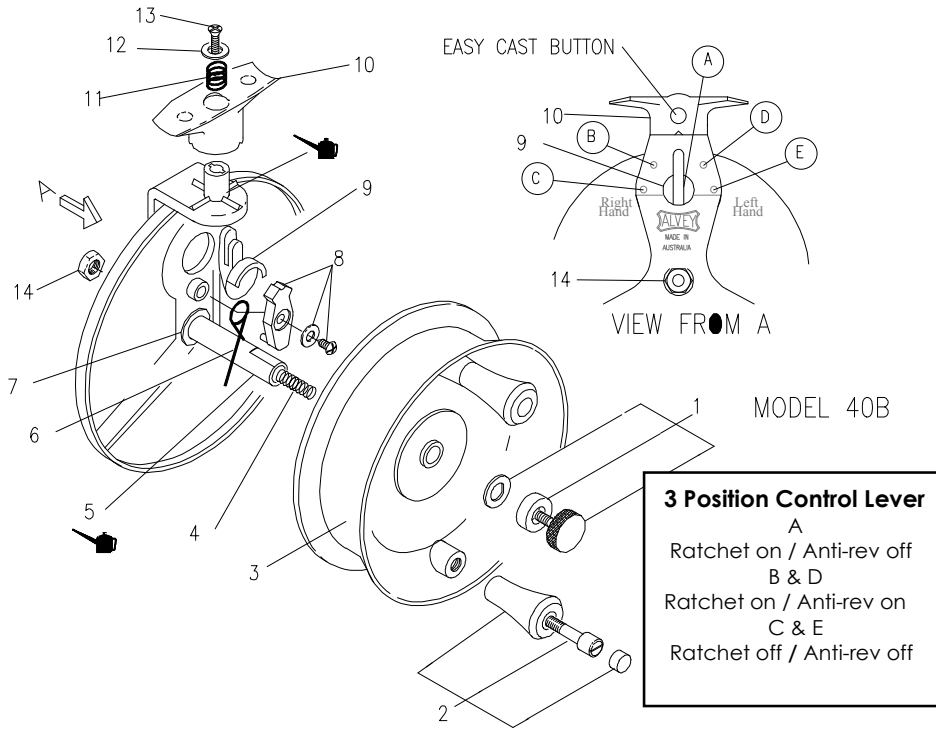


## 40B EXPLODED VIEW



KEY NO	DESCRIPTION	PART NO
1.	Spindle Screw Assembly	R6E2
2.	Handle Screw Assembly	R4F2
3.	Spool Only	R4B-040B
4.	Spindle Spring	R6C4
5.	Spindle	R6A13
6.	Ratchet & Anti-reverse Spring	R5G2
8.	Ratchet & Anti-reverse Pawl	R7J3
9.	Ratchet & Anti-reverse Lever	R7K7
10.	Base Assembly	R2A4
11.	Base Assembly Spring	R2K
12.	Base Washer	R2E2
13.	Base Bolt	R2D3
14.	Spindle Nut	R6F2