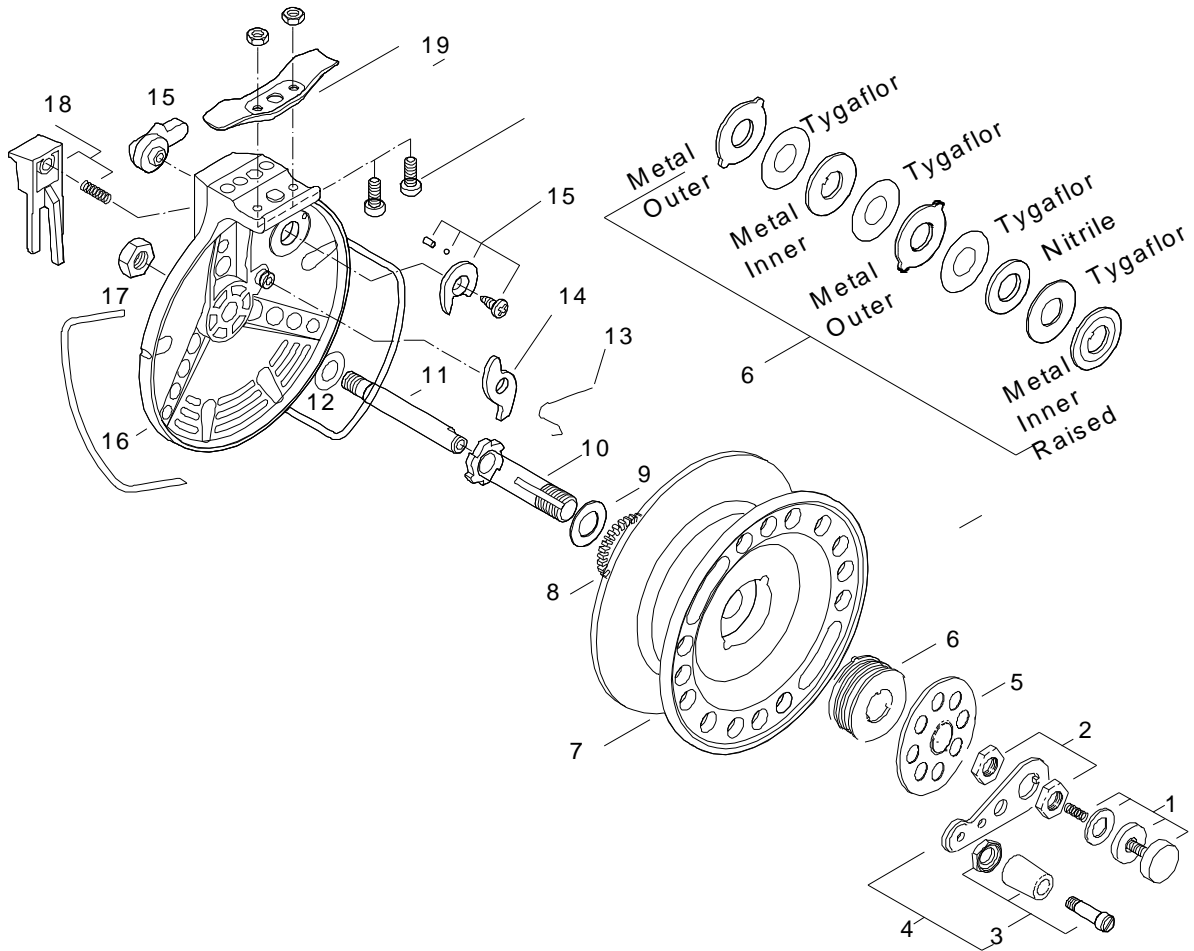


425B Exploded View



Key	Part	Description	Key	Part	Description
1	R6E2	SPINDLE SCREW	11	R6A22	SPINDLE
2	R7F1	HANDLE LOCK NUTS	12	R6J7	SPINDLE WASHER
3	R4F13	HANDLE ASSEMBLY	13	R5G4	DRAG SPRING
4	R7E2	HANDLE PLATE ASSEMBLY	14	R7J6	DRAG PAWL
5	R7D2	DRAG TENSION WHEEL	15	R7K9	NON REVERSE LEVER KIT
6	R7B/C9	DRAG WASHER SET	16	R1A	GRAPHITE BACK
7	R4A	SPOOL ONLY	17	R6F1	SPINDLE HEX NUT
8	R5B6	RATCHET WHEEL	18	R5E9	RATCHET SWITCH
9	R7H2	FRICITION TUBE WASHER	19	R2C4	BASE PLATE ASSEMBLY
10	R7A2	FRICITION TUBE			

425B