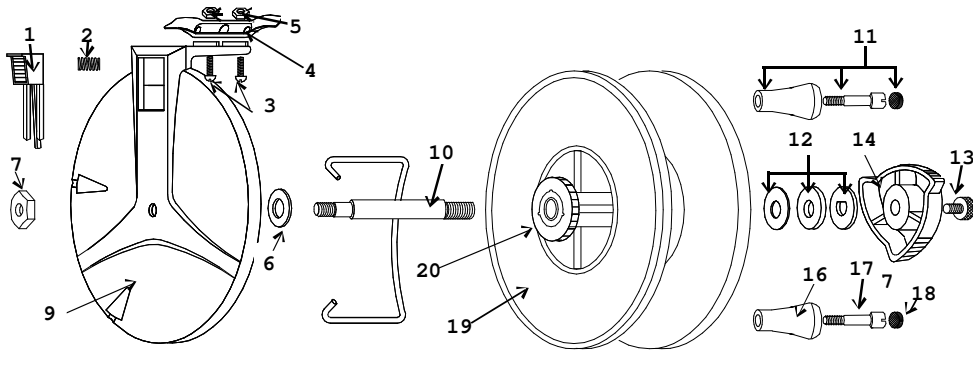


Model 426B



Key No	Description	Part No
1	Ratchet Button	R5E9
2	Ratchet Button Spring	R5H2
3	Base Screw	R2D4
4	Base Assembly	R2C4
5	Base Hex Nut	R2F2
6	Fibre & S/Steel Washers	R6J1 + R6J3
7	Spindle Hex Nut	R6F1
9	Cross and Back Assembly	R1A-426
10	Spindle	R6A1NZ
11	Handle Assembly	R4F15
12	Spindle Washer Set	R6L1
13	Spindle Screw	R6E1
14	Spindle Knob	R6B11
16	Handle	R4D7
17	Handle Screw	R4F15
18	Handle Plug	R4H2
19	Spool Assembly (incl. handles)	R4B-426
20	Ratchet Wheel	R5B6