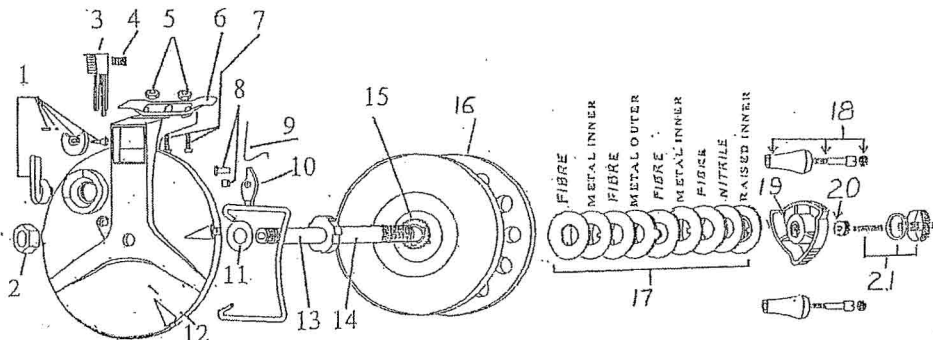


ALVEY REELS AUSTRALIA

Model 456BE



Key No	Description	Part No
1	NON REVERSE LEVER KIT	R7K9
2	SPINDLE HEX NUT	R6F1
3	RATCHET SWITCH	R5E9
4	RATCHET SPRING	R5H2
5	BASE NUTS	R2F2
6	BASE PLATE	R2C4
7	BASE BOLTS	R2D4
8	DRAG PAWL BUSH AND RIVET	R7M5
9	DRAG SPRING	R5G4
10	DRAG PAWL	R7J1
11	SPINDLE WASHER	R6J1
12	GRAPHITE BACK	R1A
13	SPINDLE	R6A15
14	FRICITION TUBE	R7A2
15	RATCHET WHEEL	R5B6
16	SPOOL ONLY	R4A
17	DRAG WASHER SET	R7B/C16
19	DRAG TENSION KNOB	R7D13
20	"D" WASHER	R6D5
21	SPINDLE SCREW ASSEMBLY	R6E6