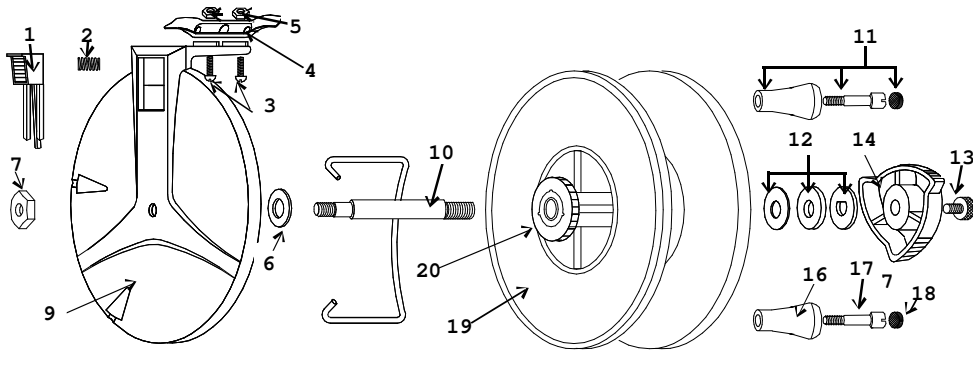


Model 456B MK11



Key No	Description	Part No
1	Ratchet Button	R5E9
2	Ratchet Button Spring	R5H2
3	Base Screw	R3D4
4	Base Assembly	R2C4
5	Base Hex Nut	R2F2
6	Fibre Washer	R6J2
7	Spindle Hex Nut	R6F1
9	Cross and Back Assembly	R1A456B
10	Spindle	R6A20
11	Handle Assembly	R4F15
12	Spindle Washer Set	R6L1
13	Spindle Screw	R6E1
14	Spindle Knob	R6B11
16	Handle	R4D7
17	Handle Screw	R4F15
18	Handle Plug	R4H2
19	Spool Assembly (incl. handles)	R4B456B
20	Ratchet Wheel	R5B6