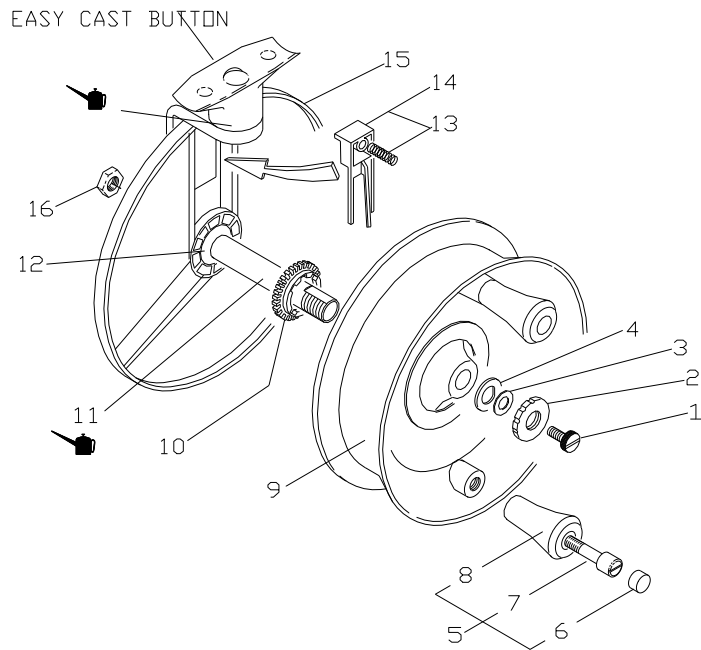


45B Exploded View



Key	Part	Description	Key	Part	Description
1	R6E1	Spindle Screw	9	R4B-045B	Spool with Handles
2	R6B7	Spindle Nut	10	R5B6	Ratchet Wheel
3	R6C6	Wave Washer	11	R6A1	Spindle
4	R6D1	D Washer	12	R6J1	Fibre Washer
5	R4F3	Handle Assembly	13	R5H2	Spring
6	R4H1	Handle Plug	14	R5E9	Ratchet
7	R4E3	Handle Screw	15	R1A-45B	Back Plate Assembly
8	R4D2	Handle Knob	16	R6F1	Spindle Hex Nut