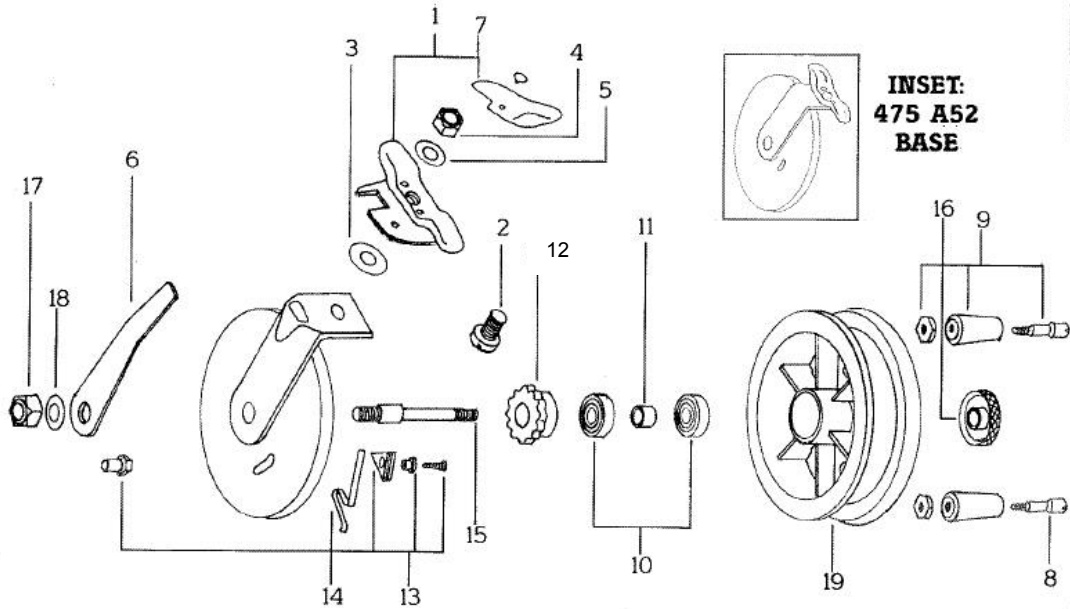


## MODEL 475 A5E, 475 A52



KEY NO.	DESCRIPTION	PART NO.	
		475 A5E	475 A52
1	Base Assembly	R2A1	
2	Base Bolt	R2D1	
3	Base Washer (Micarta)	R2E1	
4	Base Bolt Nut	R2F1	
5	Base Washer (Stainless Steel)	R2L1	
6	Base Lock Spring	R2G6	
7	Base Lever & Rivet	R2H1	
8	Handle Screw	R4E4	R4E4
9	Handle Assembly	R4F13	R4F13
10	Ball Bearing	R4J1	R4J1
11	Brass Spacer	R4L1	R4L1
12	Ratchet Wheel & Tube	R4K4	R4K4
13	Ratchet Assembly	R5E2	R5E2
14	Ratchet Spring	R5F1	R5F1
15	Spindle	R6A6	R6A6
16	Spindle Screw Cap	R6E5	R6E5
17	Spindle Hex Nut	R6F1	R6F1
18	Washer Metal		R2L1
19	Spool with Handles & Bearings	R4B	R4B

Please note, reels manufactured after 2001 do not have lock nuts in handle assembly. New Part number for index 9 is R4F15 For index 8 R4E15