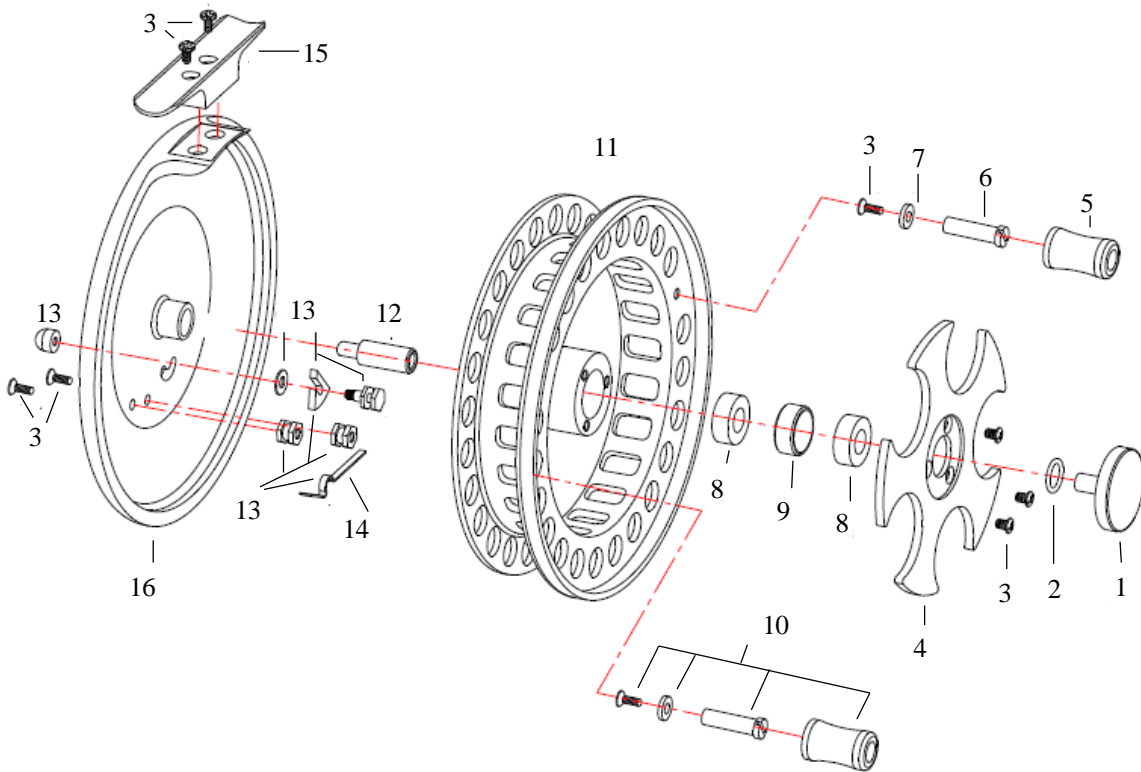


475CP



Key	Description	Part No
1	Spindle Screw	R6E8
2	O-Ring	R6P4
3	Screw	R2D8
4	Decorative Parts	R9A1
5	Handle Only	R4D9
6	Handle Rivet	R4E16
7	Handle Collar	R4G3
8	Ball Bearing	R4J2
9	Bush	R4L2
10	Handle Assembly	R4F18
11	Spool	R4B-475CP
12	Spindle	R6A27
13	Ratchet Assembly	R5E11
14	Clicker Spring	R5F5
15	Reel Foot - with screws	R2C6
16	Back Plate	R1A-475CP

REEL MADE IN CHINA