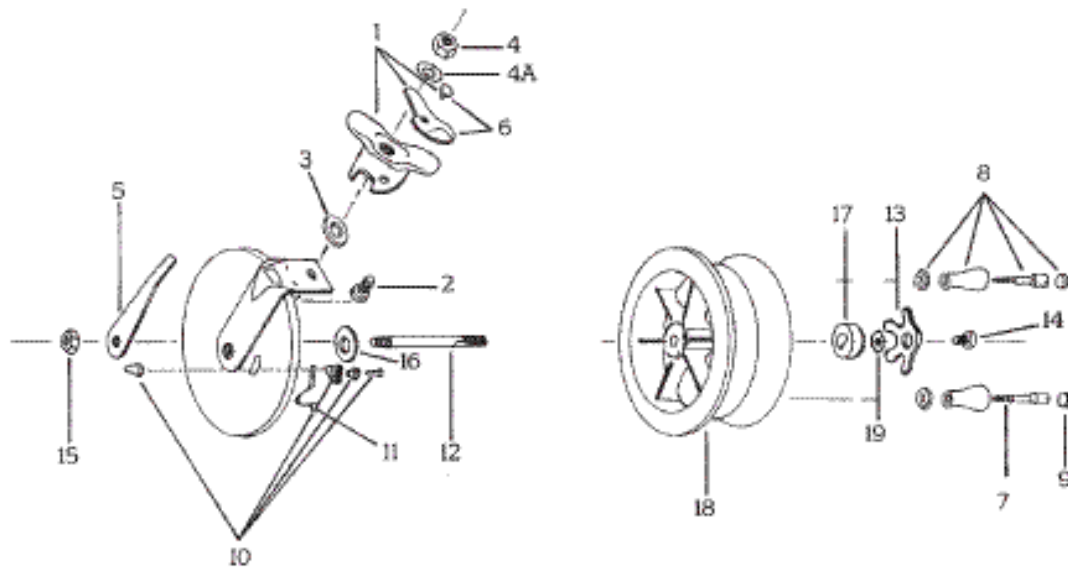


MODEL 500A5, 55A5, 60A5



KEY NO.	DESCRIPTION	PART NO.		
		500A5	55A5	60A5
1	Base Assembly	R2A1	R2A1	R2A1
2	Base Bolt	R2D1	R2D1	R2D2
3	Base Washer (Micarta)	R2E1	R2E1	R2E1
4	Base Bolt Nut	R2F1	R2F1	R2F1
4A	Base Washer (Stainless Steel)	R2L1	R2L1	R2L1
5	Base Lock Spring	R2G6	R2G7	R2G9
6	Base Lever & Rivet	R2H1	R2H1	R2H1
7	Handle Screw	R4E4	R4E4	R4E4
8	Handle Assembly	R4F4	R4F4	R4F4
9	Handle Plug	R4H1	R4H1	R4H1
10	Ratchet Assembly	R5E2	R5E2	R5E5
11	Ratchet Spring	R5F1	R5F1	R5F2
12	Spindle	R6A1	R6A1	R6A4
13	Spindle Nut	R6B3	R6B3	R6B3
14	Spindle Screw	R6E1	R6E1	R6E1
15	Spindle Hex Nut	R6F1	R6F1	R6F1
16	Spindle Fibre Washer	R6J2	R6J2	R6J2
17	Spindle Nylon Washer	R6O1	R6O1	R6O1
18	Spool with Handles	R4B	R4B	R4B
19	Wave Washer	R6C6	R6C6	R6C6