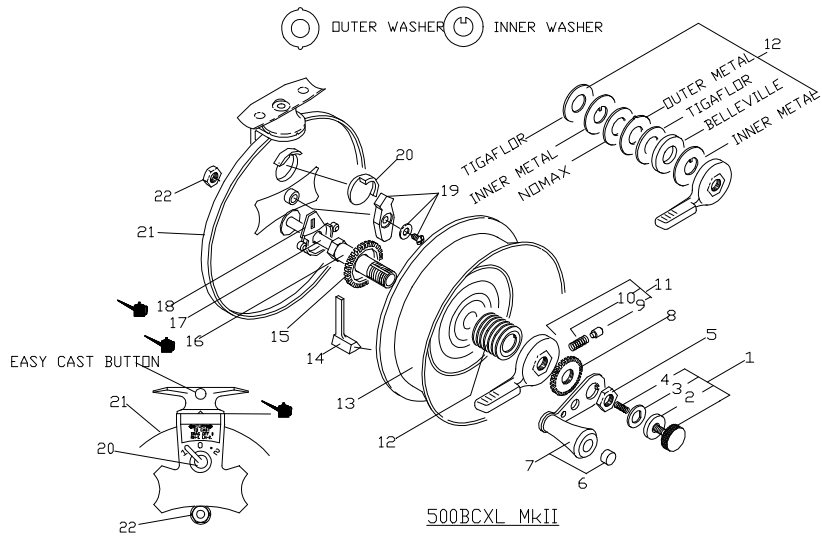


500BCXL EXPLODED VIEW



Key	Part	Description	Key	Part	Description
1	R6E2	Spindle Screw Set	12	R7B/C13	Friction Washer Set
2	R6P1	Nitrile Washer	13	R4A	Spool Only
3	R6D1	D Washer	14	R5F3	Fish Alert Spring
4	R6C4	Spindle Spring	15	R5B1	Fish Alert Wheel
5	R7F1	Handle-plate Lock Nut	16	R7A5	Friction Tube
6	R4H1	Handle Plug	17	R6A15	Spindle
7	R7E17	Handle-plate & Handle	18	R7L2	Silent Drag Cam
8	R7F4	Drag Indicator Cog	19	R7J8	Drag Pawl
9	R5J1	Indicator Pin	20	R7K12	Drag On/Off Lever
10	R5H2	Indicator Pin Spring	21	R1A	Reel without Spool
11	R7D9	Drag Tension Lever	22	R6F1	Spindle Hex Nut