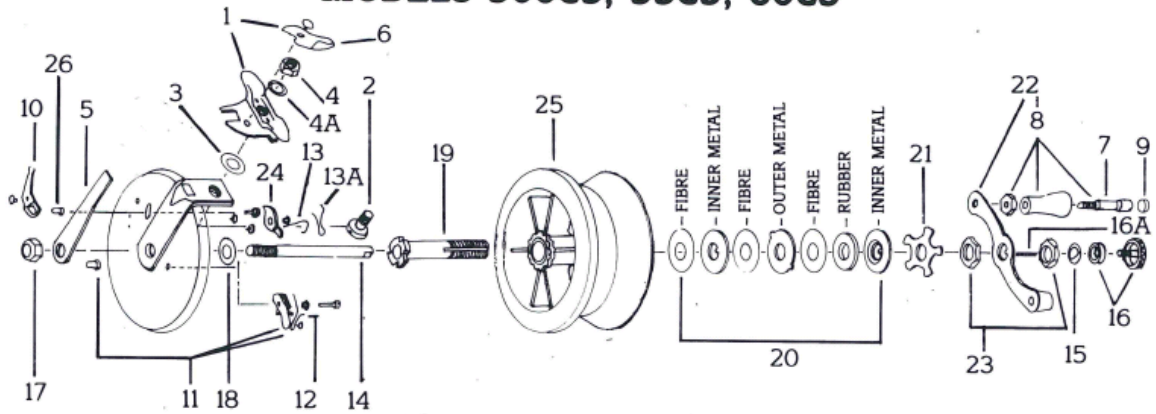


## MODELS 500C5, 55C5, 60C5



KEY NO.	DESCRIPTION	PART NO.		
		500C5	55C5	60C5
1	Base Assembly	R2A1	R2A1	R2A1
2	Base Bolt	R2D1	R2D1	R2D2
3	Base Washer (Micarta)	R2E1	R2E1	R2E1
4	Base Bolt Nut	R2F1	R2F1	R2F1
4A	Base Washer (Stainless Steel)	R2L1	R2L1	R2L1
5	Base Lock Spring	R2G6	R2G7	R2G9
6	Base Lever & Rivet	R2H1	R2H1	R2H1
7	Handle Screw	R4E4	R4E4	R4E4
8	Handle Assembly	R4F4	R4F4	R4F4
9	Handle Plug	R4H1	R4H1	R4H1
10	Drag Lever & Rivet	R5C1	R5C2	R5C2
11	Ratchet Assembly	R5E5	R5E5	R5E5
12	Ratchet Spring	R5F2	R5F2	R5F2
13	Drag Pawl Spring	R5G1	R5G1	R5G1
13A	Drag Lever Spring	R5H1	R5H1	R5H1
14	Spindle	R6A10	R6A10	R6A10
15	Spindle D Washer	R6D1	R6D1	R6D1
16	Spindle Screw	R6E2	R6E2	R6E2
16A	Spindle Spring	R6C4	R6C4	R6C4
17	Spindle Hex Nut	R6F1	R6F1	R6F1
18	Spindle Fibre Washer	R6J1	R6J1	R6J1
19	Drag Friction Tube	R7A1	R7A1	R7A2
20	Drag Clutch Washers Met/Fib	R7B/C4	R7B/C4	R7B/C4
21	Drag Star Adjusting Nut	R7D3	R7D3	R7D3
22	Drag Handle Plate Assembly	R7E6	R7E6	R7E8
23	Drag Handle Plate Lock Nut	R7F1	R7F1	R7F1
24	Drag Pawl	R7J1	R7J1	R7J1
25	Drag Spool Only	R4A	R4A	R4A
26	Drag Knob and Wheel	R7K1	R7K1	R7K1