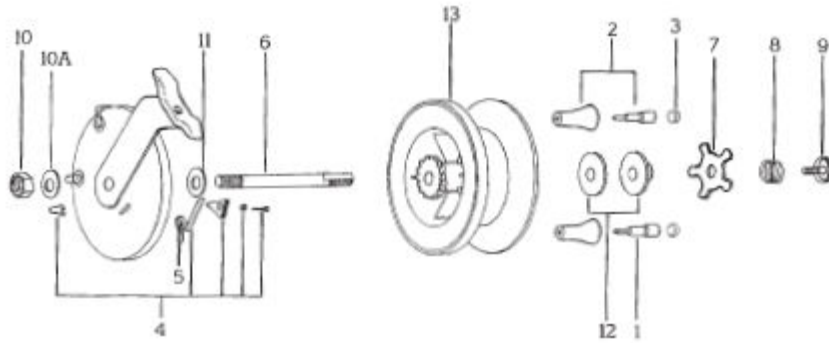


MODEL 520A52



KEY NO.	DESCRIPTION	PART NO. 520 A52
1	Handle Screw	R4E8
2	Handle Assembly	R4F8
3	Felt Plug	R4H2
4	Ratchet Assembly	R5E2
5	Ratchet Spring	R5F1
6	Spindle	R6A8
7	Spindle Nut	R6B5
8	Spindle Spring	R6C3
9	Spindle Screw	R6E3
10	Spindle Hex Nut	R6F1
10A	Metal Washer	R2E1
11	Spindle Fibre Washer	R6J3
12	Spindle Nylon Washer & Fibre	R6O2
13	Spool with Handles	R4B