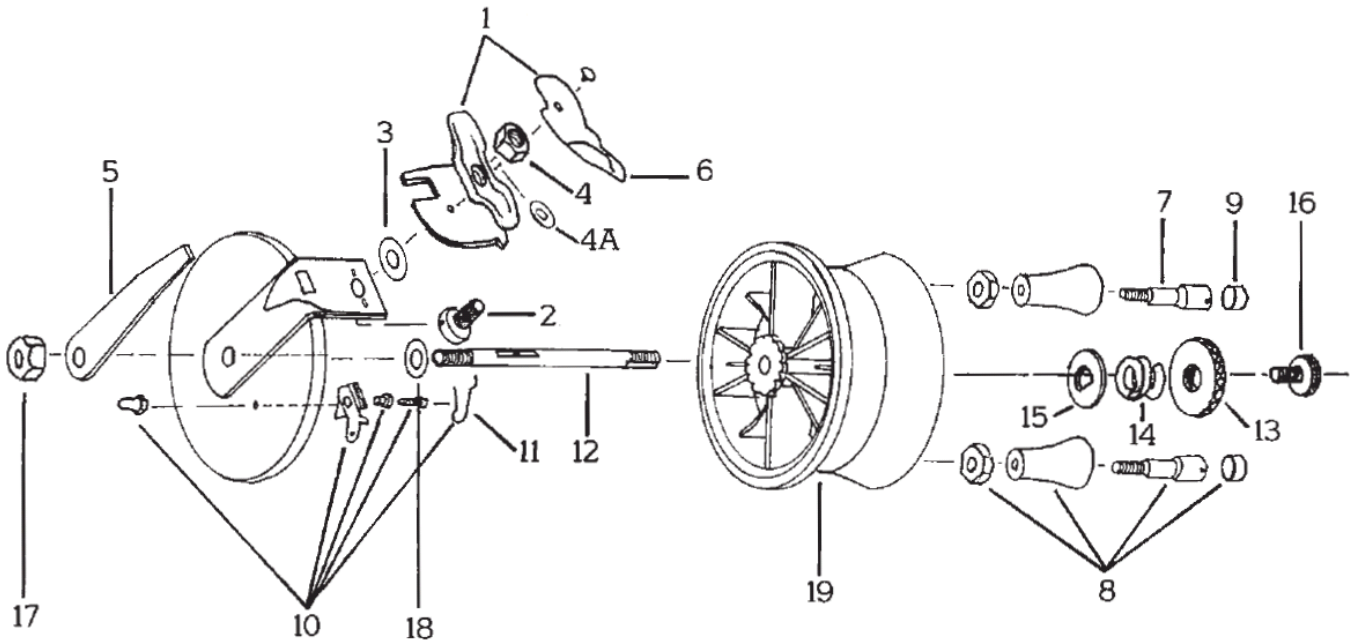


550A5



Key	Part	Description	Key	Part	Description
1	R2A2	Base Assembly	10	R5E3	Ratchet Assembly
2	R2D2	Base Bolt	11	R5F2	Ratchet Spring
3	R2E1	Base Washer (Micarta)	12	R6A7	Spindle
4	R2F1	Base Bolt Nut	13	R6B4	Spindle Nut
4A	R2L1	Base Washer (Stainless Steel)	14	R6C2	Spindle Spring
5	R2G8	Base Lock Spring	15	R6D2	Spindle D Washer
6	R2H2	Base Lever & Rivet	16	R6E1	Spindle Screw
7	R4E4	Handle Screw	17	R6F1	Spindle Hex Nut
8	R4F4	Handle Assembly	18	R6J4	Spindle Fibre Washer
9	R4H1	Handle Plug	19	R4B	Spool with Handles