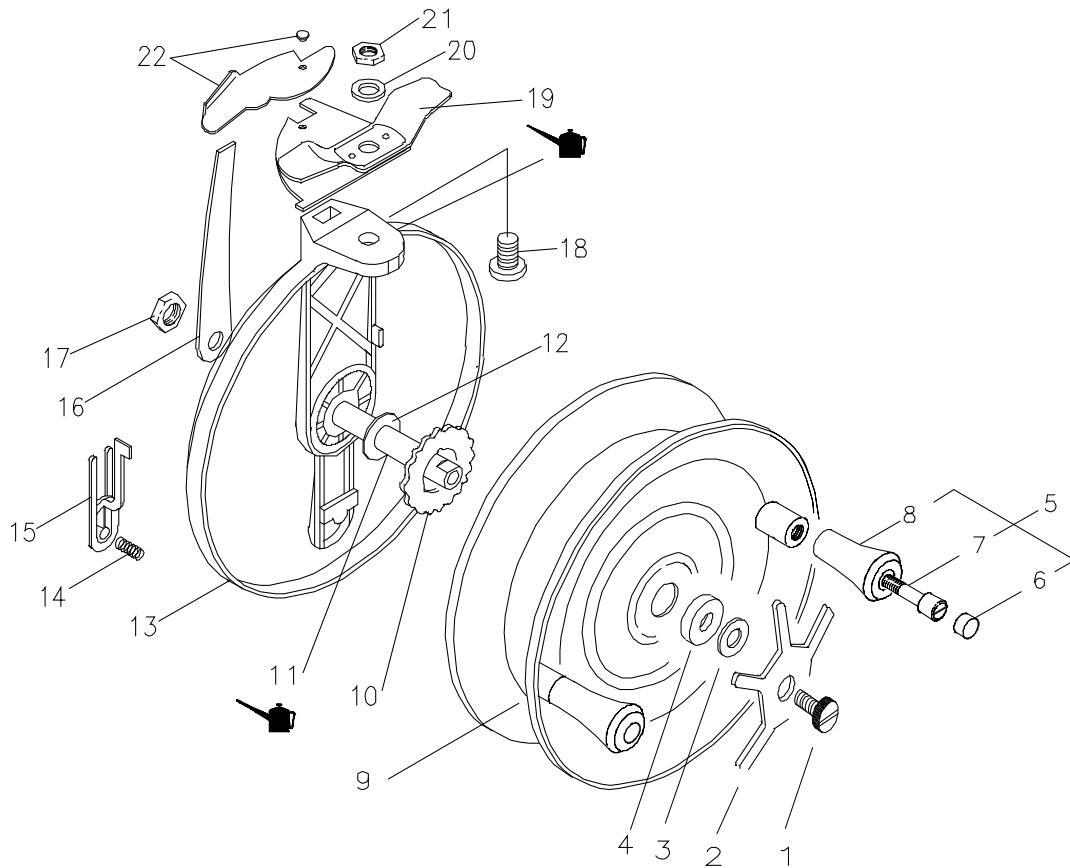




ESSENTIALS SERIES
55B



Key	Part	Description	Key	Part	Description
1	R6E1	Spindle Screw	12	R6J1	Fibre Washer
2	R6B3	Spindle Tension Nut	13	R1A	Back Plate Assembly
3	R6C6	Wave Washer	14	R5H2	Fish Alert Spring
4	R6O1	Spindle Nylon Washer	15	R5E10	Fish Alert Button
5	R4F15	Handle Assembly	16	R2G12	Base Lock Spring
6	R4H2	Handle Plug	17	R6F1	Spindle Nut
7	R4E15	Handle Screw	18	R2D2	Base Bolt
8	R4D7	Handle Only	19	R2A1	Base Plate Assembly
90	R4B	Spool with Handles	20	R2L1	Base Washer
10	R5B6	Fish Alert Cog	21	R2F1	Base Bolt Nut
11	R6A20	Spindle	22	R2H1	Base Lever & Rivet