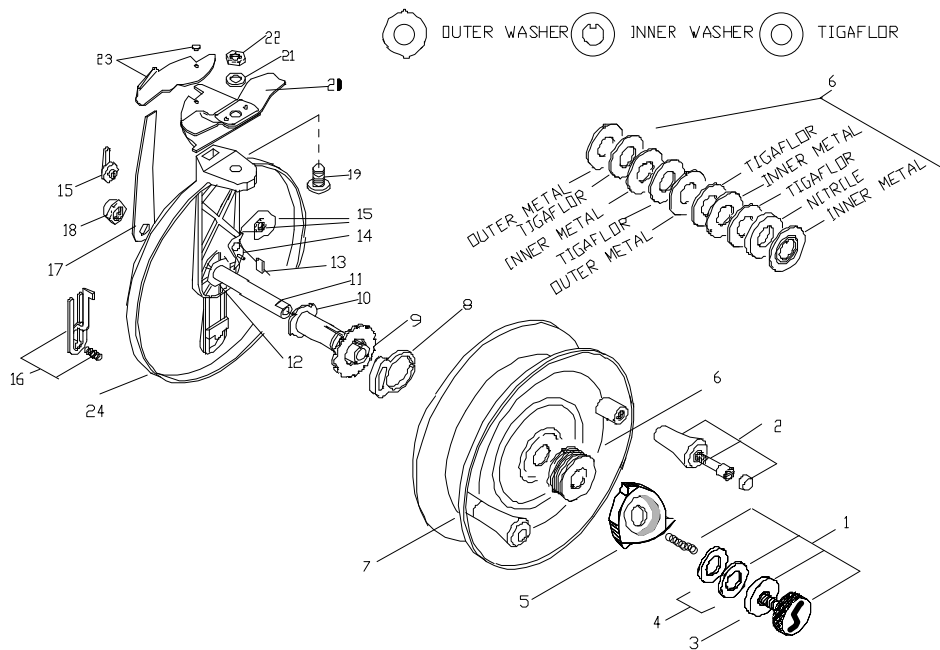


55BE



Key	Part	Description	Key	Part	Description
1	R6E7	Spindle Screw Set	13	R5G3	Drag Pawl Spring
2	R4F15	Handle Assembly	14	R7J9	Drag Pawl
3	R6P1	Nitrile Washer	15	R7K11	On/Off Lever/Activator
4	R6D1	D Washer	16	R5E10	Ratchet Button
5	R7D13	Drag Adjusting Nut	17	R2G12	Base Lock Spring
6	R7B/C18	Friction Washer Set	18	R6F3	Dome Nut
7	R4A	Spool Only	19	R2D2	Base Bolt
8	R7L3	Silent Drag Cam	20	R2A1	Index Plate Assembly
9	R5B6	Fish Alert Wheel	21	R2L1	Base Bolt Washer
10	R7A2	Friction Tube	22	R2F1	Base Bolt Nut
11	R6A15	Spindle	23	R2H1	Lever & Rivet
12	R6J7	Spindle Washer	24	R1A	Reel less Spool