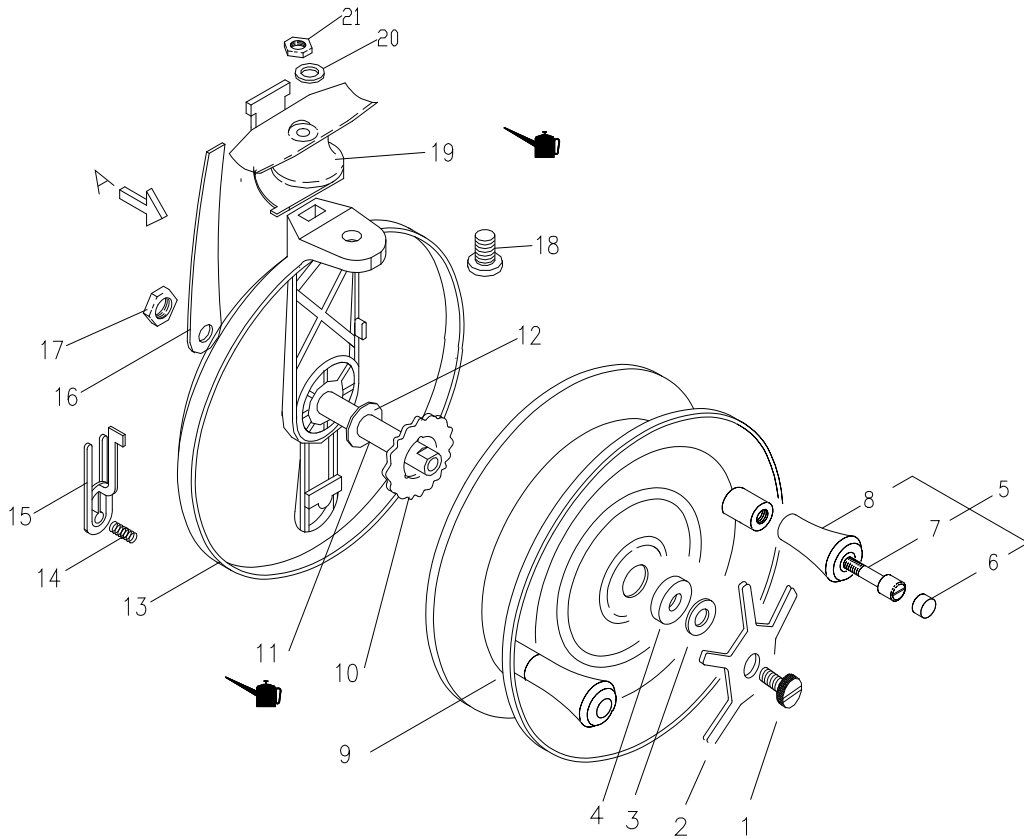




ESSENTIALS SERIES 55BT



Key	Part	Description	Key	Part	Description
1	R6E1	Spindle Screw	12	R6J1	Fibre Washer
2	R6B3	Spindle Tension Nut	13	R1A	Back Plate Assembly
3	R6C6	Wave Washer	14	R5H2	Fish Alert Spring
4	R6O1	Spindle Nylon Washer	15	R5E10	Fish Alert Button
5	R4F15	Handle Assembly	16	R2G12	Base Lock Spring
6	R4H2	Handle Plug	17	R6F1	Spindle Nut
7	R4E15	Handle Screw	18	R2D7	Base Bolt
8	R4D7	Handle Only	19	R2A7	Turbo Cast
9	R4B	Spool with Handles	20	R2L1	Base Washer
10	R5B6	Fish Alert Cog	21	R2F1	Base Bolt Nut
11	R6A20	Spindle			