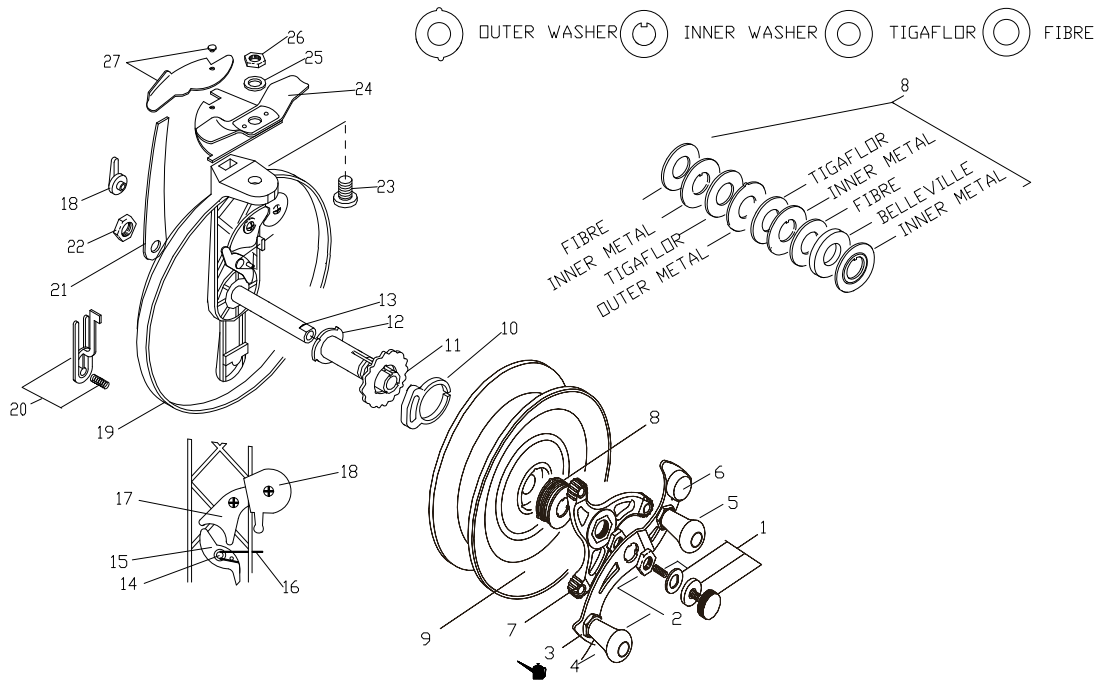


# 6000BCVRR



| Key | Part    | Description           | Key | Part  | Description            |
|-----|---------|-----------------------|-----|-------|------------------------|
| 1   | R6E2    | Spindle Screw Set     | 15  | R7J4  | Drag Pawl              |
| 2   | R7F1    | Handle-plate Lock Nut | 16  | R5G3  | Drag Pawl Spring       |
| 3   | R7E22   | Handle-plate & Handle | 17  | R5K1  | On/Off Cam             |
| 4   | R4F17   | Power Handle Assy     | 18  | R7K10 | On/Off Lever/Activator |
| 5   | R4F4    | Rapid Handle Assy     | 19  | R1A   | Reel without Spool     |
| 6   | R7P3    | Balance Weight        | 20  | R5E10 | Ratchet Button         |
| 7   | R7D12   | Tristar Drag Nut      | 21  | R2G12 | Base Lock Spring       |
| 8   | R7B/C11 | Friction Washer Set   | 22  | R6F1  | Hex Nut                |
| 9   | R4A     | Spool Only            | 23  | R2D2  | Base Bolt              |
| 10  | R7L3    | Silent Drag Cam       | 24  | R2A1  | Index Plate Assembly   |
| 11  | R5B4    | Fish Alert Wheel      | 25  | R2L1  | Base Bolt Washer       |
| 12  | R7A6    | Friction Tube         | 26  | R2F1  | Base Bolt Nut          |
| 13  | R6A17   | Spindle               | 27  | R2H1  | Lever & Rivet          |
| 14  | R7M4    | Drag Pawl Rivet       |     |       |                        |