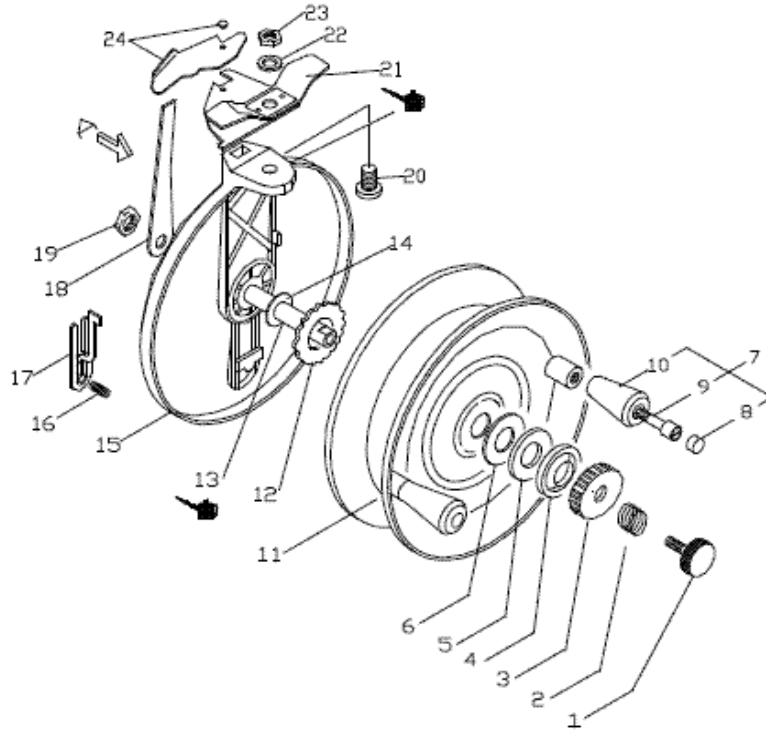


600B Exploded View



Key	Part	Description	Key	Part	Description
1	R6E3	Spindle Screw	14	R6J6	Spindle Washer PTFE
2	R6C3	Spindle Spring	15	R1A	Back Plate Assembly
3	R6B4	Spindle Nut	16	R5H2	Fish Alert Spring
4&5	R6O2	Nylon D Washer set	17	R5E10	Fish Alert Button
6	R6T2	Nitrile Washer	18	R2G12	Base Lock Spring
7	R4F15	Handle Assembly	19	R6F1	Spindle Hex Nut
8	R4H2	Handle Plug	20	R2D2	Base Bolt
9	R4E15	Handle Screw	21	R2A1	Base Plate Assembly
10	R4D7	Handle Only	22	R2L1	Base Washer
11	R4B	Spool with Handles	23	R2F1	Base Bolt Nut
12	R5B4	Fish Alert Cog	24	R2H1	Base Lever & Rivet
13	R6A14	Spindle			

Please note: If your reel is a pre 1998 model then the handle assembly part number R4F15 must be changed to R4F4.