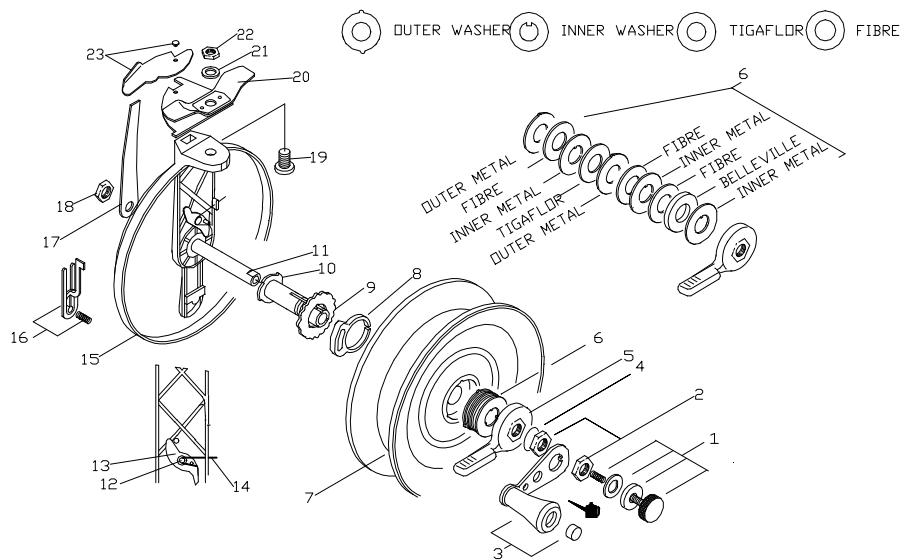


600BC Exploded View



Key	Part	Description	Key	Part	Description
1	R6E2	Spindle Screw Set	13	R7J4	Drag Pawl
2	R7F1	Handle-plate Lock Nut	14	R5G3	Drag Pawl Spring
3	R7E15	Handle-plate Assem.	15	R1A	Reel without Spool
4	R6Q2	O Ring	16	R5E10	Ratchet Button
5	R7D6	Drag Tension Lever	17	R2G12	Base Lock Spring
6	R7B/C7	Friction Washer Set	18	R6F1	Hex Nut
7	R4A	Spool Only	19	R2D2	Base Bolt
8	R7L3	Silent Drag Cam	20	R2A1	Index Plate Assembly
9	R5B4	Fish Alert Wheel	21	R2L1	Base Bolt Washer
10	R7A6	Friction Tube	22	R2F1	Base Bolt Nut
11	R6A17	Spindle	23	R2H1	Lever & Rivet
12	R7M4	Drag Pawl Rivet			