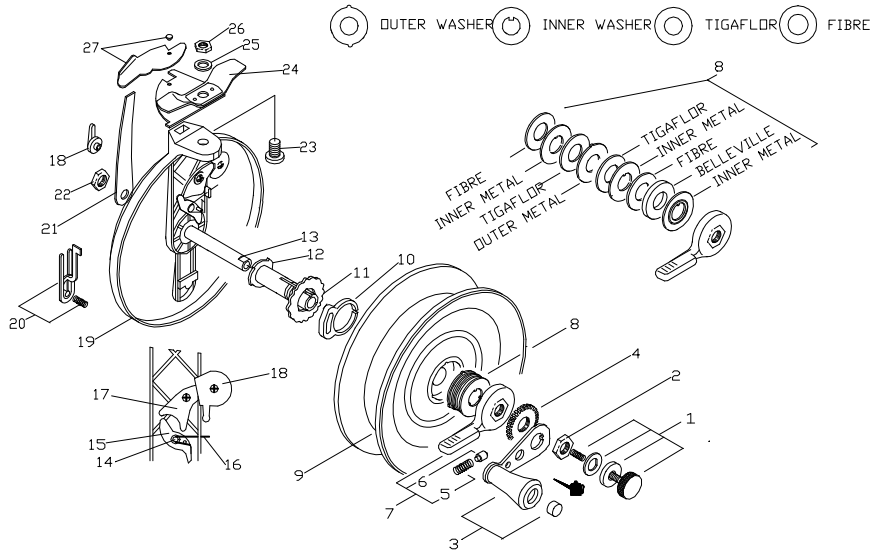


600BCXL Exploded View



Key	Part	Description	Key	Part	Description
1	R6E2	Spindle Screw Set	15	R7J4	Drag Pawl
2	R7F1	Handle-plate Lock Nut	16	R5G3	Drag Pawl Spring
3	R7E15	Handle-plate & Handle	17	R5K1	On/Off Cam
4	R7F4	Drag Indicator Cog	18	R7K10	On/Off Lever/Activator
5	R5H2	Indicator Pin Spring	19	R1A	Reel without Spool
6	R5J1	Indicator Pin	20	R5E10	Ratchet Button
7	R7D9	Drag Tension Lever	21	R2G12	Base Lock Spring
8	R7B/C11	Friction Washer Set	22	R6F1	Hex Nut
9	R4A	Spool Only	23	R2D2	Base Bolt
10	R7L3	Silent Drag Cam	24	R2A1	Index Plate Assembly
11	R5B4	Fish Alert Wheel	25	R2L1	Base Bolt Washer
12	R7A6	Friction Tube	26	R2F1	Base Bolt Nut
13	R6A17	Spindle	27	R2H1	Lever & Rivet
14	R7M4	Drag Pawl Rivet			