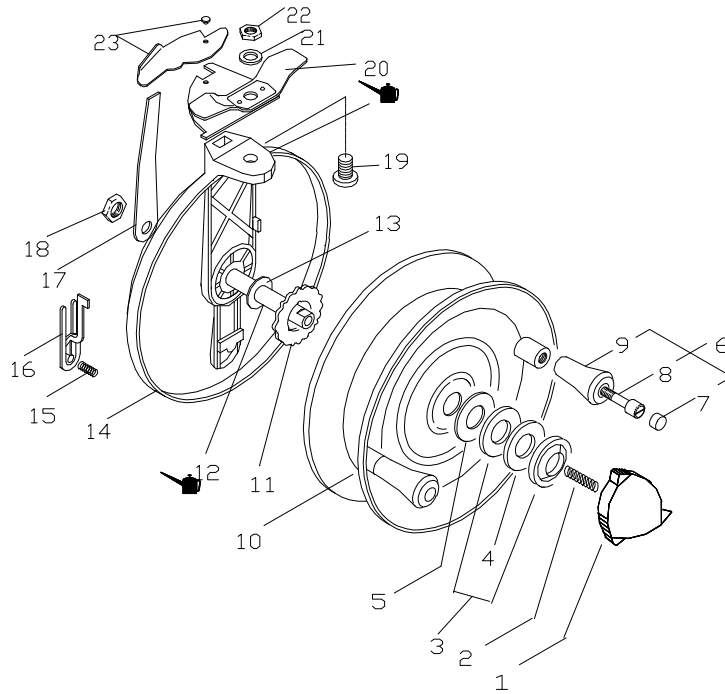


600BXL Exploded View



Key	Part	Description	Key	Part	Description
1	R6B9	Spindle Tension Knob	13	R6J6	Spindle Washer PTFE
2	R6C7	Spindle Spring	14	R1A	Back Plate Assembly
3	R6O2	Nylon D Washer Set	15	R5H2	Fish Alert Spring
4	R6T2	Nitrile Washer	16	R5E10	Fish Alert Button
5	R6U1	Tigaflor Washer	17	R2G12	Base Lock Spring
6	R4F15	Handle Assembly	18	R6F3	Spindle Dome Nut
7	R4H2	Handle Plug	19	R2D2	Base Bolt
8	R4E15	Handle Screw	20	R2A1	Base Plate Assembly
9	R4D7	Handle Only	21	R2L1	Base Washer
10	R4B	Spool with Handles	22	R2F1	Base Bolt Nut
11	R5B4	Fish Alert Cog	23	R2H1	Base Lever & Rivet
12	R6A14	Spindle			