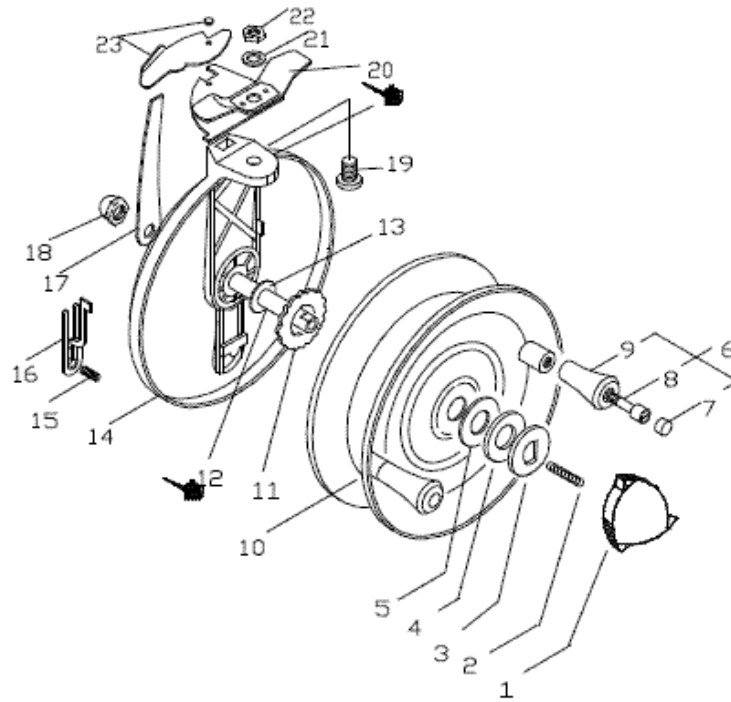


625B Exploded View



| Key | Part | Description | Key | Part | Description |
|-----|-------|----------------------|-----|-------|---------------------|
| 1 | R6B10 | Spindle Tension Knob | 13 | R6R2 | Fibre Washer |
| 2 | R6C7 | Spindle Spring | 14 | R1A | Back Plate Assembly |
| 3 | R6D4 | D Washer | 15 | R5H2 | Fish Alert Spring |
| 4 | R6T1 | Nitrile Washer | 16 | R5E10 | Fish Alert Button |
| 5 | R6R2 | Fibre Washer | 17 | R2G12 | Base Lock Spring |
| 6 | R4F15 | Handle Assembly | 18 | R6F3 | Spindle Dome Nut |
| 7 | R4H2 | Handle Plug | 19 | R2D2 | Base Bolt |
| 8 | R4E15 | Handle Screw | 20 | R2A1 | Base Plate Assembly |
| 9 | R4D7 | Handle Only | 21 | R2L1 | Base Washer |
| 10 | R4B | Spool with Handles | 22 | R2F1 | Base Bolt Nut |
| 11 | R5B4 | Fish Alert Cog | 23 | R2H1 | Base Lever & Rivet |
| 12 | R6A20 | Spindle | | | |

Please Note: If your reel is a pre 1998 model you must disregard the listed part R4F15 and change Key No. 6 to R4F4