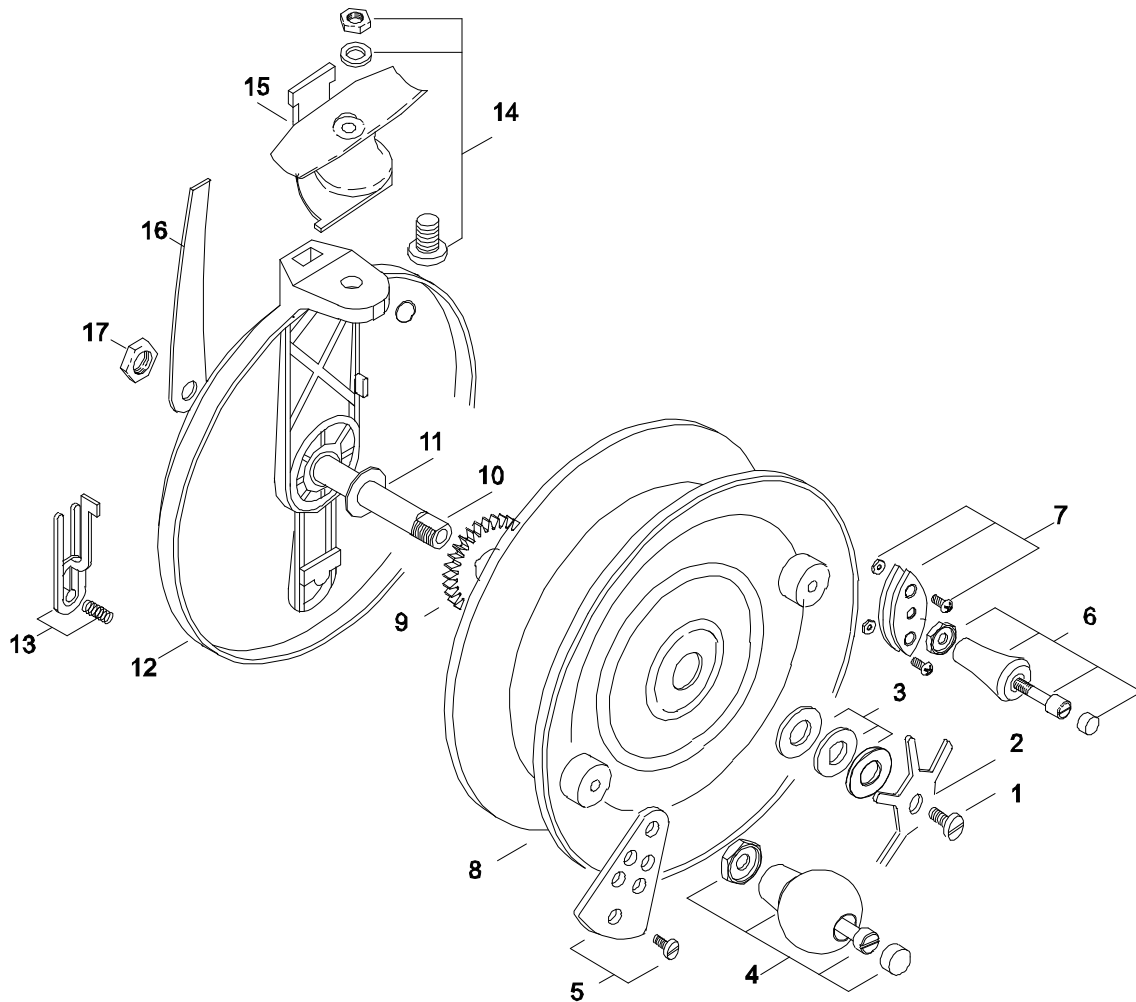




COMPETITION SERIES 625BRRT



Key	Part	Description	Key	Part	Description
1	R6E1	Spindle Screw	10	R6A1	Spindle
2	R6B3	Spindle Nut	11	R6R2	Fibre Washer
3	R6L6	Washer Set	12	R1A	Reel without spool
4	R4F7	Handle Assembly	13	R5E10	Ratchet Button
5	R4M3A	Handle Plate & Screw	14	R2DEF4	Bolt, Nut, Washer (turbo)
6	R4F21	Handle Assembly	15	R2A7	Base Assembly
7	R4M4B	Handle Plate & Screw	16	R2G12	Base Lock Spring
8	R4B	Spool only	17	R6F3	Dome Hex Nut
9	R5B4	Ratchet Wheel			