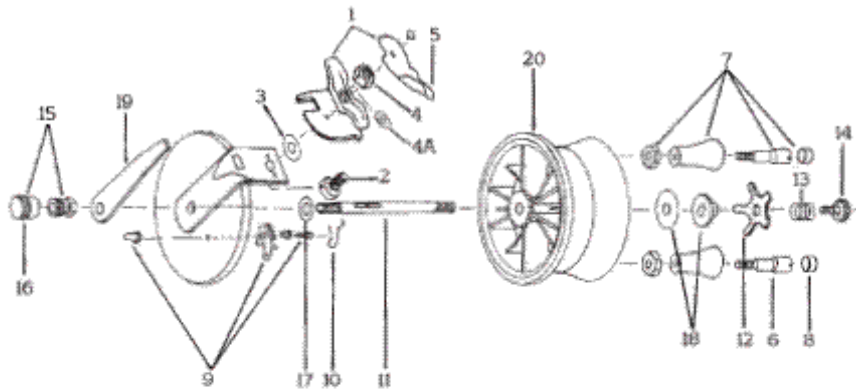


MODEL 650A5, 651A5, 700A5



KEY NO.	DESCRIPTION	PART NO.		
		650A5	651A5	700A5
1	Base Assembly	R2A2	R2A3	R2A3
2	Base Bolt	R2D2	R2D2	R2D2
3	Base Washer (Micarta)	R2E1	R2E1	R2E1
4	Base Bolt Nut	R2F1	R2F1	R2F1
4A	Base Washer (Stainless Steel)	R2L1	R2L1	R2L1
5	Base Lever & Rivet	R2H2	R2H3	R2H3
6	Handle Screw	R4E5	R4E5	R4E5
7	Handle Assembly	R4F5	R4F6	R4F6
8	Handle Plug	R4H2	R4H2	R4H2
9	Ratchet Assembly	R5E3	R5E3	R5E3
10	Ratchet Spring	R5F2	R5F2	R5F2
11	Spindle	R6A9	R6A9	R6A9
12	Spindle Nut	R6B6	R6B4	R6B4
13	Spindle Spring	R6C3	R6C3	R6C3
14	Spindle Screw	R6E3	R6E3	R6E3
15	Spindle Grease Cap and Nut	R6G1	R6G1	R6G1
16	Grease Cap Only	R6G2	R6G2	R6G2
17	Spindle Fibre Washer	R6J4	R6J4	R6J4
18	Spindle Nylon Washer & Fibre	R6O2	R6O2	R6O2
19	Base Lock Spring	R2G10	R2G11	R2G11
20	Spool with Handles	R4B	R4B	R4B