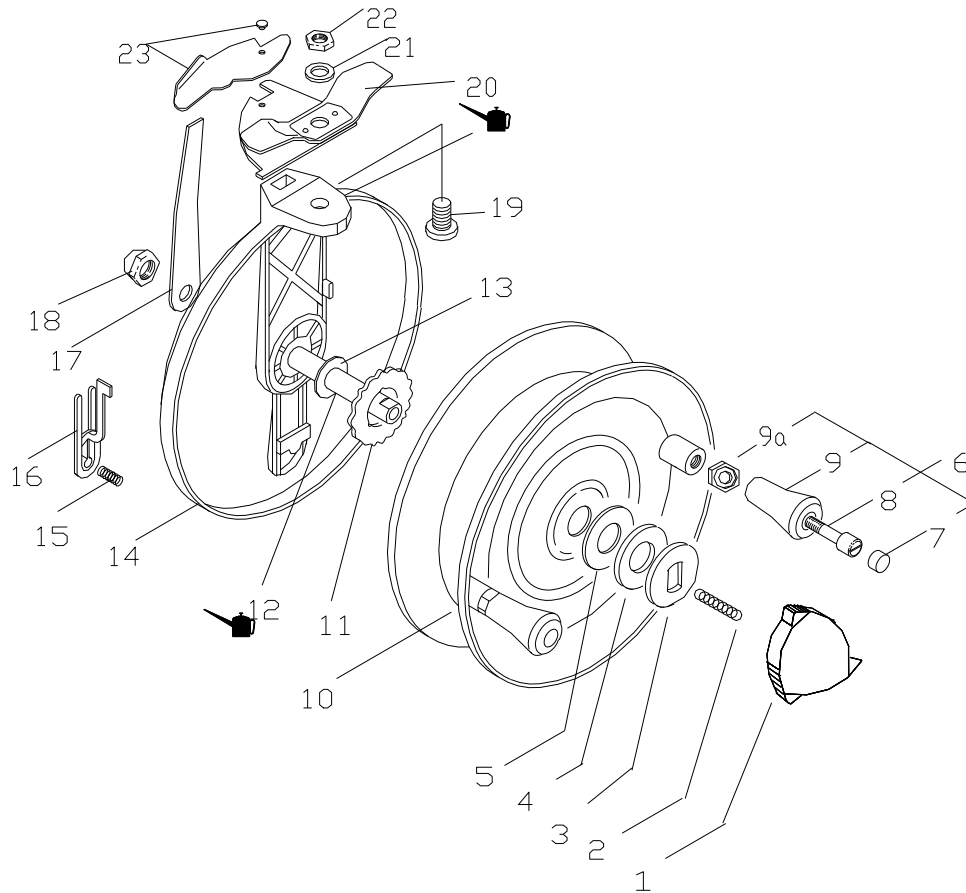


# 650B



Key	Part	Description	Key	Part	Description
1	R6B9	Spindle Tension Knob	12	R6A28	Spindle (2017)
2	R6C5	Spindle Spring	13	R6J6	Spindle Washer PTFE
3	R6D3	D Washer	14	R1A	Back Plate Assembly
4	R6T2	Nitrile Washer	15	R5H2	Fish Alert Spring
5	R6R1	Fibre Washer	16	R5E10	Fish Alert Button
6	R4F5	Handle Assembly	17	R2G13	Base Lock Spring
7	R4H2	Handle Plug	18	R6F3	Spindle Dome Nut
8	R4E5	Handle Screw	19	R2D2	Base Bolt
9	R4D4	Handle Only	20	R2A2	Base Plate Assembly
9a	R4G2	Handle Lock Nut	21	R2L1	Base Washer
10	R4B	Spool with Handles	22	R2F1	Base Bolt Nut
11	R5B4	Fish Alert Cog	23	R2H2	Base Lever & Rivet