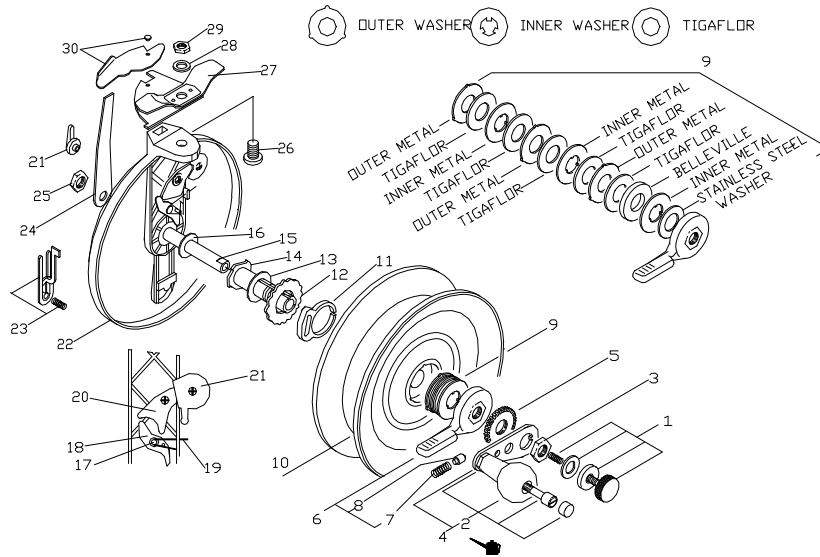


## 650BCXL Exploded View



Key	Part	Description	Key	Part	Description
1	R6E4	Spindle Screw Set	16	R6J6	Spindle Washer
2	R4F7	Handle Assembly	17	R7M4	Drag Pawl Rivet
3	R7F2	Handle-plate Lock Nut	18	R7J4	Drag Pawl
4	R7E16	Handle-plate & Handle	19	R5G3	Drag Pawl Spring
5	R7F5	Drag Indicator Cog	20	R5K1	On/Off Cam
6	R7D10	Drag Tension Lever	21	R5C6	On/Off Lever & Activ
7	R5H2	Indicator Pin Spring	22	R1A	Reel without Spool
8	R5J1	Indicator Pin	23	R5E10	Fish Alert Button
9	R7B/C12	Drag Washer Set	24	R2G13	Base Lock Spring
10	R4A	Spool Only	25	R6F3	Dome Nut
11	R7L1	Silent Drag Cam	26	R2D2	Base Bolt
12	R5B5	Fish Alert Wheel	27	R2A2	Index Plate Assembly
13	R7H1	Friction Tube Washer	28	R2L1	Base Bolt Washer
14	R7A4	Friction Tube	29	R2F1	Base Bolt Nut
15	R6A18	Spindle	30	R2H2	Lever & Rivet