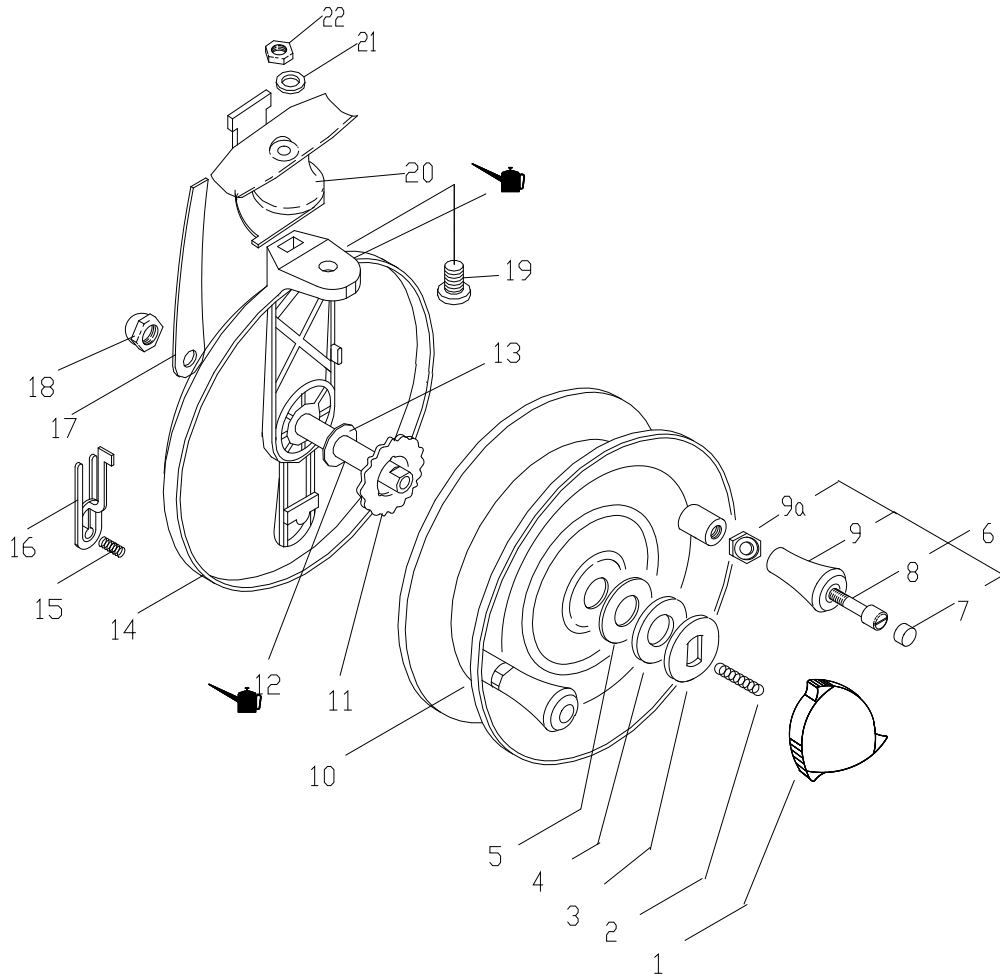




BEACH ESSENTIALS SERIES 650BT



| Key | Part | Description | Key | Part | Description |
|-----|------|----------------------|-----|-------|---------------------|
| 1 | R6B9 | Spindle Tension Knob | 12 | R6A28 | Spindle (2017) |
| 2 | R6C5 | Spindle Spring | 13 | R6J6 | Spindle Washer PTFE |
| 3 | R6D3 | D Washer | 14 | R1A | Back Plate Assembly |
| 4 | R6T2 | Nitrile Washer | 15 | R5H2 | Fish Alert Spring |
| 5 | R6R1 | Fibre Washer | 16 | R5E10 | Fish Alert Button |
| 6 | R4F5 | Handle Assembly | 17 | R2G13 | Base Lock Spring |
| 7 | R4H2 | Handle Plug | 18 | R6F3 | Spindle Dome Nut |
| 8 | R4E5 | Handle Screw | 19 | R2D7 | Base Bolt |
| 9 | R4D4 | Handle Only | 20 | R2A8 | Turbo Cast Assembly |
| 9a | R4G2 | Handle Lock Nut | 21 | R2L1 | Base Washer |
| 10 | R4B | Spool with Handles | 22 | R2F1 | Base Bolt Nut |
| 11 | R5B4 | Fish Alert Cog | | | |