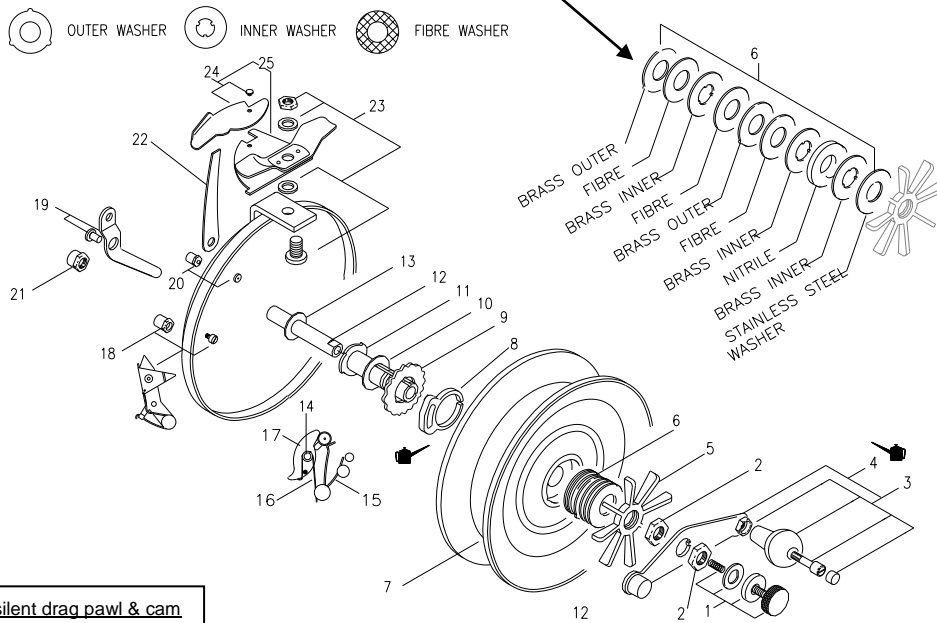


The first BRASS OUTER is *not* required in pre 2010 models

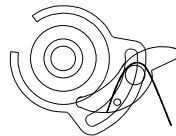


Correct assembly for silent drag pawl & cam

Ensure that Drag pawl pin is inside of silent drag cam slot or reel will click when winding.

Spring should be in front of pin for correct operation of the drag.

When assembling spool to reel have drag in OFF position.



Key	Part	Description	Key	Part	Description
1	R6E4	Spindle Screw Set	14	R7M2	Drag Pawl Rivet
2	R7F2	Handle-plate Lock Nut	15	R5H1	Drag Lever Spring
3	R4F7	Handle Assembly	16	R5G3	Drag Pawl Spring
4	R7E10	Handle-plate Assembly	17	R7J4	Drag Pawl
5	R7D5	Drag Tension Star	18	R5E6	Ratchet Assembly
6	R7B/C5	Drag Washer Set	19	R5C2	Drag Lever & Rivet
7	R4A-650	Spool Only	20	R7K2	Drag Knob & Wheel
8	R7L1	Silent Drag Cam	21	R6F3	Dome Nut
9	R5B5	Fish Alert Wheel	22	R2G10	Base Lock Spring
10	R7H1	Friction Tube Washer	23	R2DEF2	Base Bolt Assembly
11	R7A4	Friction Tube	24	R2H2	Lever & Rivet
12	R6A12	Spindle	25	R2A2	Index Plate Assembly
13	R6J5	Spindle Washer			

650C5