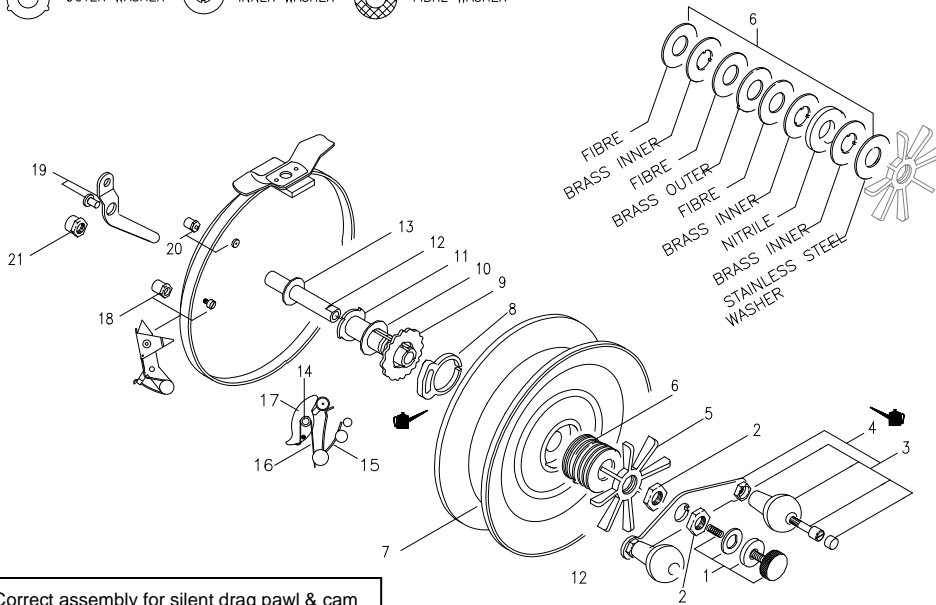


655C52 PARTS LIST

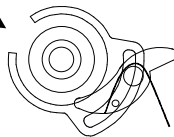


Correct assembly for silent drag pawl & cam

Ensure that Drag pawl pin is inside of silent drag cam slot or reel will click when winding.

Spring should be in front of pin for correct operation of the drag.

When assembling spool to reel have drag in OFF position.



Key	Part	Description	Key	Part	Description
1	R6E4	Spindle Screw Set	11	R7A4	Friction Tube
2	R7F2	Handle-plate Lock Nut	12	R6A12	Spindle
3	R4F7	Handle Assembly	13	R6J5	Spindle Washer
4	R7E11	Handle-plate Assembly	14	R7M2	Drag Pawl Rivet
5	R7D5	Drag Tension Star	15	R5H1	Drag Lever Spring
6	R7B/C5	Drag Washer Set	16	R5G3	Drag Pawl Spring
7	R4A-655	Spool Only	17	R7J4	Drag Pawl
8	R7L1	Silent Drag Cam	18	R5E6	Ratchet Assembly
9	R5B5	Fish Alert Wheel	19	R5C2	Drag Lever & Rivet
10	R7H1	Friction Tube Washer	20	R7K2	Drag Knob & Wheel
			21	R6F3	Dome Nut