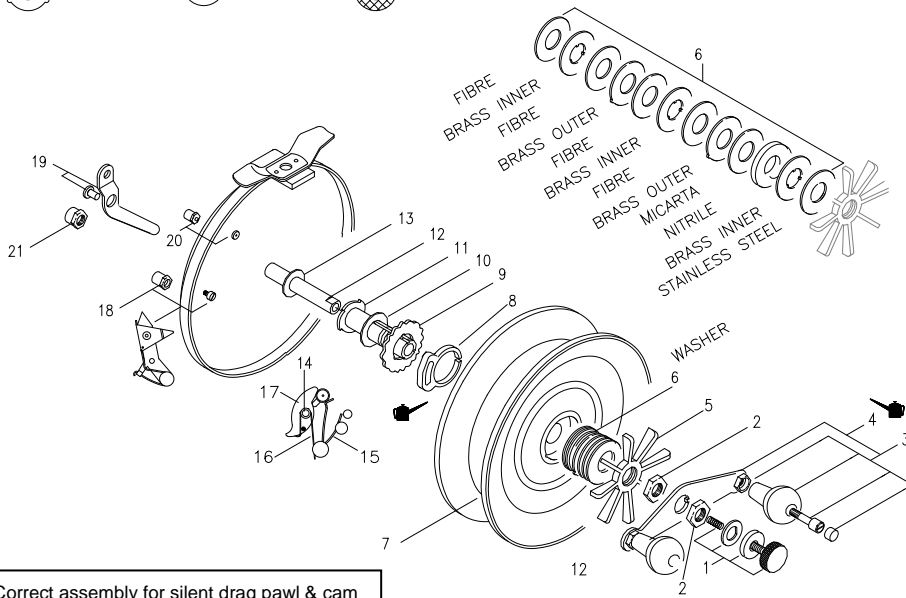


725C52 PARTS LIST

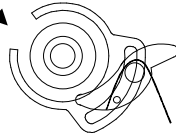


Correct assembly for silent drag pawl & cam

Ensure that Drag pawl pin is inside of silent drag cam slot or reel will click when winding.

Spring should be in front of pin for correct operation of the drag.

When assembling spool to reel have drag in OFF position.



Key	Part	Description	Key	Part	Description
1	R6E4	Spindle Screw Set	12	R6A12	Spindle
2	R7F2	Handle-plate Lock Nut	13	R6J5	Spindle Washer
3	R4F7	Handle Assembly	14	R7M2	Drag Pawl Rivet
4	R7E13	Handle-plate Assembly	15	R5H1	Drag Lever Spring
5	R7D5	Drag Tension Star	16	R5G3	Drag Pawl Spring
6	R7B/C6	Drag Washer Set	17	R7J4	Drag Pawl
7	R4A-725	Spool Only	18	R5E6	Ratchet Assembly
8	R7L1	Silent Drag Cam	19	R5C2	Drag Lever & Rivet
9	R5B5	Fish Alert Wheel	20	R7K2	Drag Knob & Wheel
10	R7H1	Friction Tube Washer	21	R6F3	Dome Nut
11	R7A4	Friction Tube			