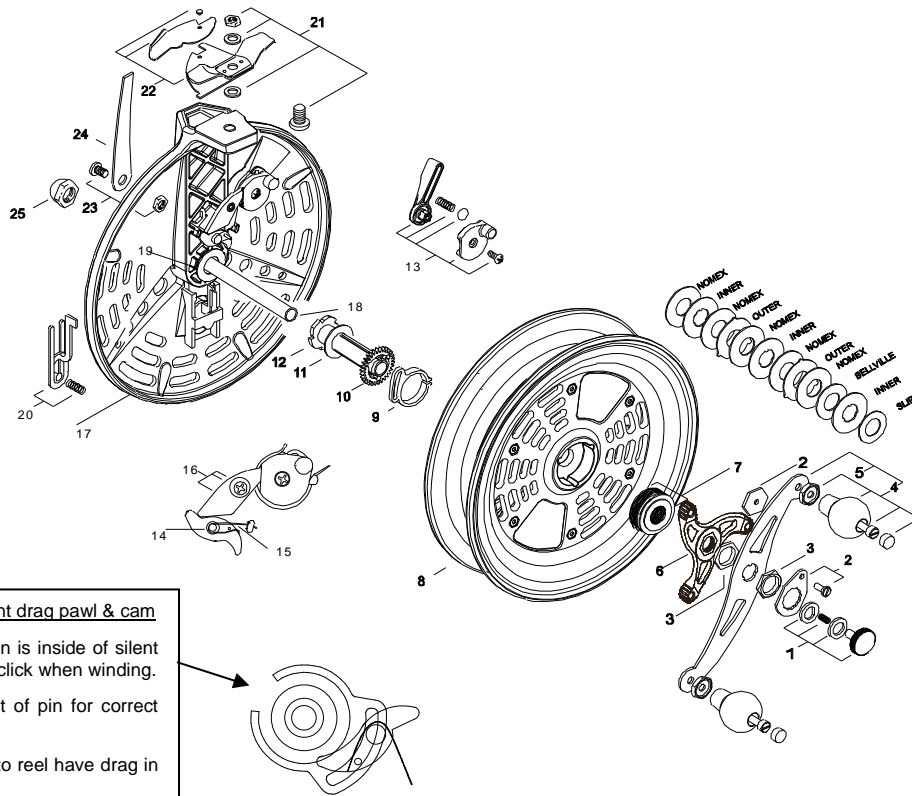


820BCV PARTS LIST



Correct assembly for silent drag pawl & cam

Ensure that Drag pawl pin is inside of silent drag cam slot or reel will click when winding.

Spring should be in front of pin for correct operation of the drag.

When assembling spool to reel have drag in OFF position.

Key	Part	Description	Key	Part	Description
1	R6E4	Spindle Screw Assy	14	R7J4	Drag Pawl
2	R7F3	Lock Nut Retainer	15	R5G3	Drag Pawl Spring
3	R7F2	Handle Plate Lock Nut	16	R5K2	Drag On/Off Cam
4	R4F7	Handle Assy	17	R1A	Reel without Spool
5	R7E13	Handle Plate Assy	18	R6A18	Spindle
6	R7D11	Star Nut	19	R6J10	Spindle Washer
7	R7B/C15	Clutch Washer Set	20	R5E10	Fish Alert Assy
8	R4A	Drag Spool	21	R2DEF4	Bolt, Nut, Washer Set
9	R7L1	Silent Drag Cam	22	R2A6	Index Plate
10	R5B5	Fish Alert Wheel	23	R2M1	Base Lock Spring Bolt
11	R7H1	Friction Tube Washer	24	R2G13	Base Lock Spring
12	R7A4	Drag Friction Tube	25	R6F3	Dome Nut
13	R5C7	On/Off Lever Assy			